

metalarteTM
lightstyle

Price List

**Bailaora
Hanging**

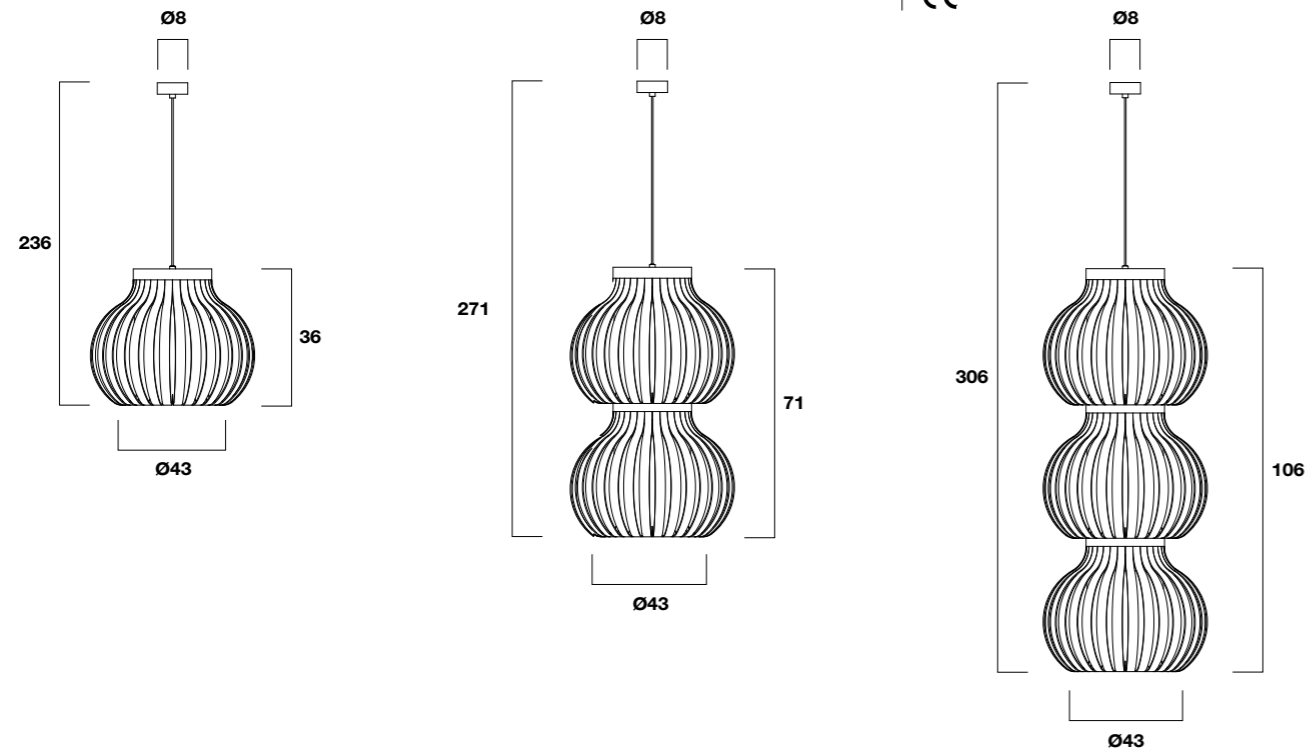


Satinised methacrylate cylindrical structure, coated in EVA foam. Ambient light.

Design by Enoch Armengol

Dimensions cm

Family page 84



Bailaora t

Structure	€
261900000	273,00
Diffuser	
861782500 White	364,00
861784700 Black	364,00
Lamp	
E27 Max. 70W	

**Copacabana
Hanging**

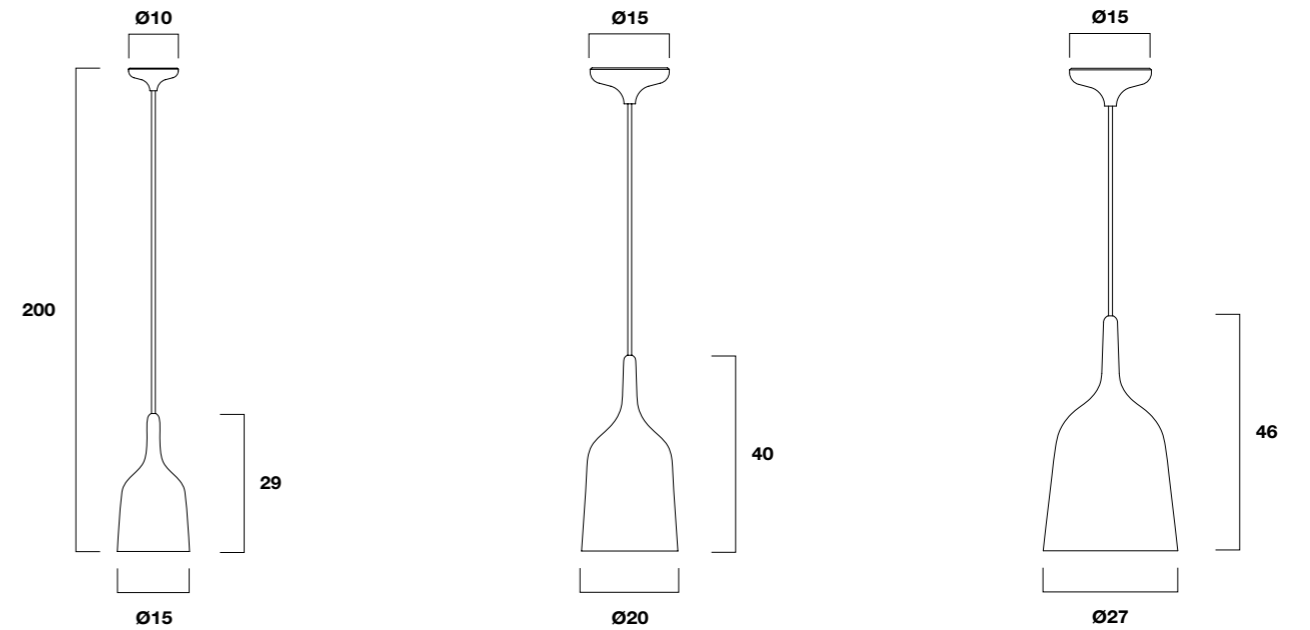


Circular ceramic ceiling rose with the same colors as the shade. Electrical cable cotton lined with the same colors. Direct light.

Design by Jaime Hayon

Dimensions cm

Family page 86-114



Copacabana t Pe

Structure / Ceramic	€
267102500 White	538,00
267104700 Black	538,00
267106200 Copper	804,00
267107200 Platinum	804,00
267100300 Gold	804,00
Lamp	
E27 Max.20W	

Copacabana t Me

Structure / Ceramic	€
267202500 White	690,00
267204700 Black	690,00
267206200 Copper	1.069,00
267207200 Platinum	1.069,00
267200300 Gold	1.069,00
Lamp	
E27 Max.40W	

Copacabana t Gr

Structure / Ceramic	€
267302500 White	1.001,00
267304700 Black	1.001,00
267306200 Copper	1.441,00
267307200 Platinum	1.441,00
267300300 Gold	1.441,00
Lamp	
E27 Max.60W	

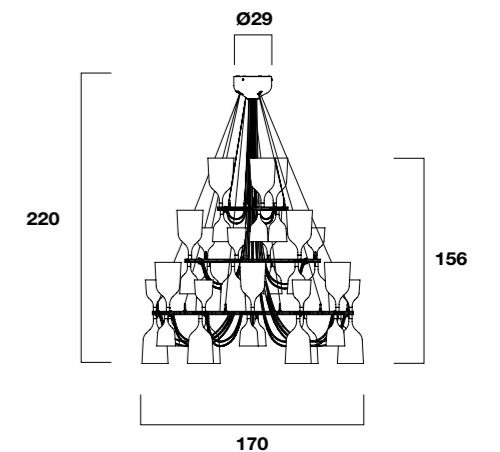
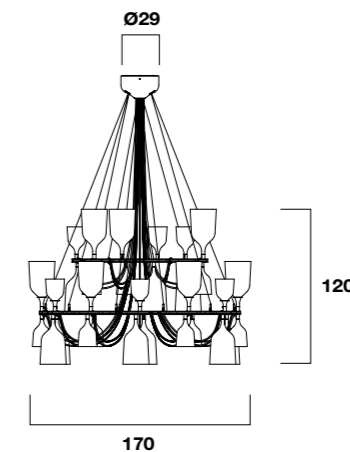
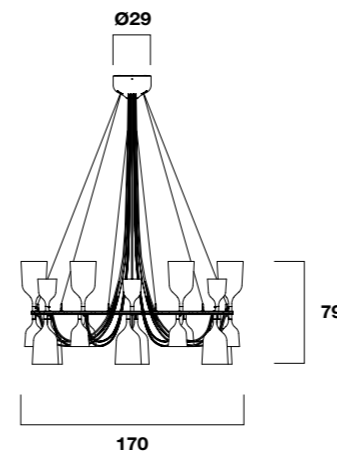
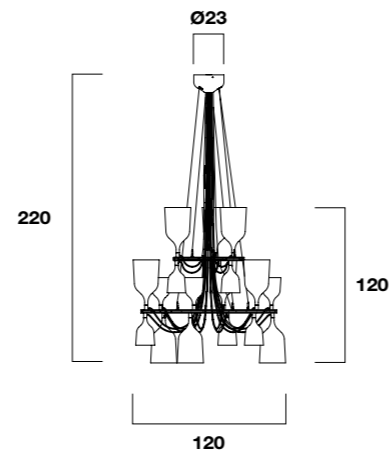
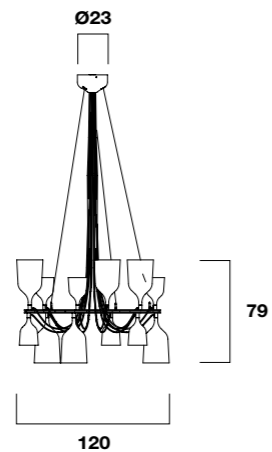
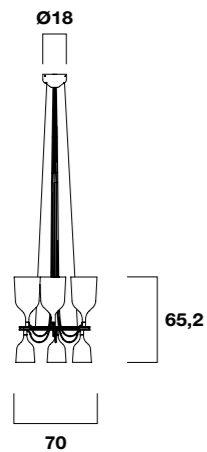


Ceramic bases supported by metal hoop or hoops. Metal cylindrical ceiling. The entire unit finished with the same colors gold, white, black, copper. Self-locking adjustable steel suspension cables. Textile cable in the same colours. Ambient light.

Design by Jaime Hayon

Dimensions cm

Family page 86-114



Copacabana Queen 3

Structure / Ceramic	€
269600300 Gold	8.080,00
269602500 White	5.590,00
269604700 Black	5.590,00
269606200 Copper	8.080,00
Lamp	
E27 Max. 6x20W	

Copacabana Queen 6

Structure / Ceramic	€
269500300 Gold	15.946,00
269502500 White	11.433,00
269504700 Black	11.433,00
269506200 Copper	15.946,00
Lamp	
E27 Max. 12x20W	

Copacabana Queen 6.3

Structure / Ceramic	€
269700300 Gold	32.667,00
269702500 White	23.161,00
269704700 Black	23.161,00
269706200 Copper	32.667,00
Lamp	
E27 Max. 18x20W	

Copacabana Queen 12

Structure / Ceramic	€
269300300 Gold	30.732,00
269302500 White	21.773,00
269304700 Black	21.773,00
269306200 Copper	30.732,00
Lamp	
E27 Max. 24x20W	

Copacabana Queen 12.6

Structure / Ceramic	€
269200300 Gold	55.563,00
269202500 White	38.705,00
269204700 Black	38.705,00
269206200 Copper	55.563,00
Lamp	
E27 Max. 36x20W	

Copacabana Queen 12.6.3

Structure / Ceramic	€
265100300 Gold	60.099,00
265102500 White	44.072,00
265104700 Black	44.072,00
265106200 Copper	60.099,00
Lamp	
E27 Max. 42x20W	

**Hopper
Hanging**

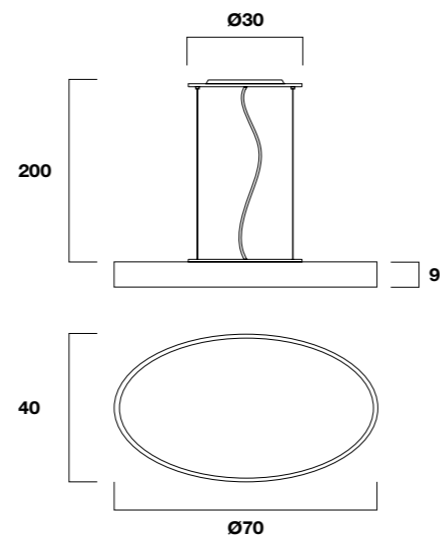
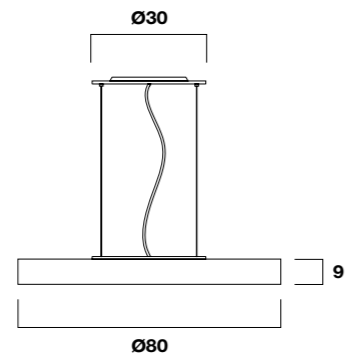
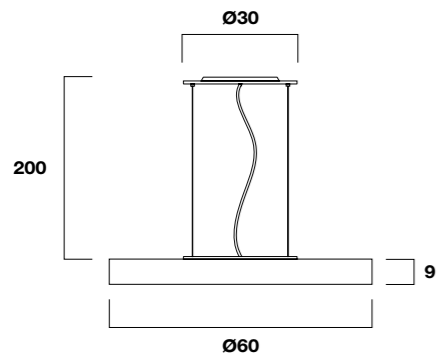


Extruded aluminum structure enameled silver or white. Upper and lower diffusers in matte glass. Spun metal ceiling rose. Three stainless-steel self-locking adjustable suspension cables. Transparent electrical cable. Direct and ambient light from above.

Design by Lieve Altherr Molina

Dimensions cm

CE IP30



Hopper 60

Structure	€
240007800 Silver	970,00
240002500 White	970,00
Lamp	
E27 Max. 2x70W	

Hopper 80

Structure	€
240107800 Silver	1.205,00
240102500 White	1.205,00
Lamp	
E27 Max. 2x70W	

Hopper Oval 70

Structure	€
240207800 Silver	902,00
240202500 White	902,00
Lamp	
E27 Max. 2x70W	

**Inout IN
Hanging**



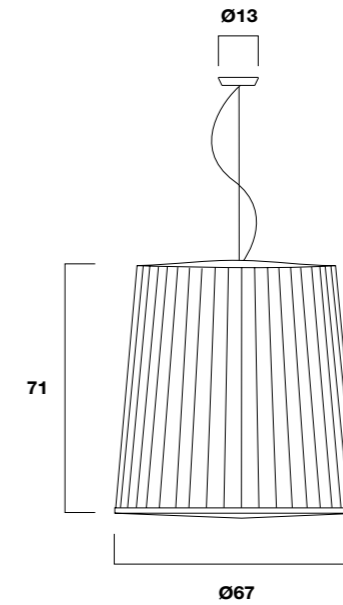
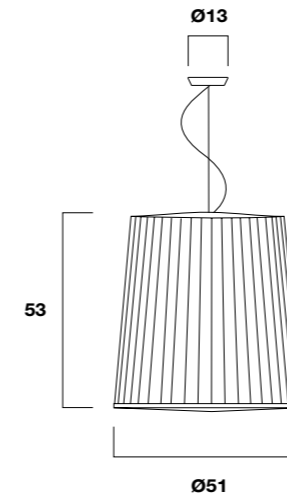
One-piece rotomoulded polyethylene structure. Chromed injected ABS inspection cover. Only for indoor use. Ambient light.

Design by Ramon Úbeda and Otto Canalda

Dimensions cm

Family page 58-94-142

CE IP44



Inout t Pe

Structure / Polyethylene	€
748100000 White	660,00
748100030 Red	705,00
Lamp	
E27 Max. 40W	

Inout t Gr

Structure / Polyethylene	€
748200000 White	895,00
748200030 Red	1.016,00
Lamp	
E27 Max. 60W	

Josephine Hanging

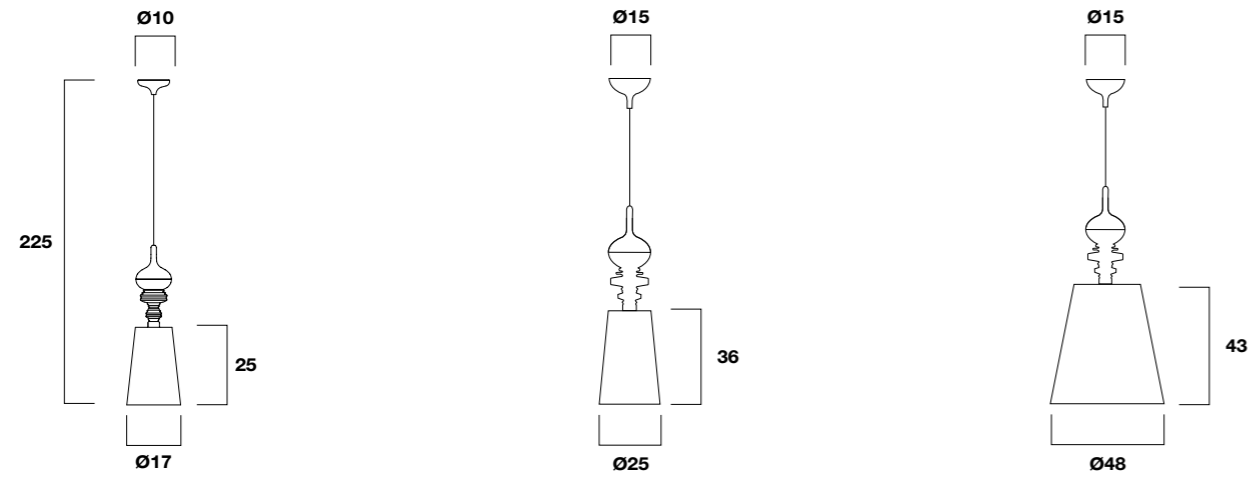


Ceramic and ceiling rose structure. Black or white shades in chintz fabric and platinum or gold in metal. Textile cable in the same colours. Ambient light.

Design by Jaime Hayon

Dimensions cm

Family page 60-96-120



Josephine mini t

Structure / Ceramic	€
258602500 White	675,00
258604700 Black	675,00
258607200 Platinum	1.032,00
258600300 Gold	1.032,00
Shade	
811982500 White	76,00
811984700 Black	76,00
811987200 Platinum	159,00
811980300 Gold	159,00
Lamp	
E27 Máx. 40W	

Josephine t Pe

Structure / Ceramic	€
251502500 White	774,00
251504700 Black	774,00
251507200 Platinum	1.236,00
251500300 Gold	1.236,00
Shade	
810782500 White	197,00
810784700 Black	197,00
810787200 Platinum	220,00
810780300 Gold	220,00
Lamp	
E27 Máx. 70W	

Josephine t Gr

Structure / Ceramic	€
251502500 White	774,00
251504700 Black	774,00
251507200 Platinum	1.236,00
251500300 Gold	1.236,00
Shade	
811882500 White	243,00
811884700 Black	243,00
811887200 Platinum	326,00
811880300 Gold	326,00
Lamp	
E27 Máx. 70W	

Josephine Queen Hanging

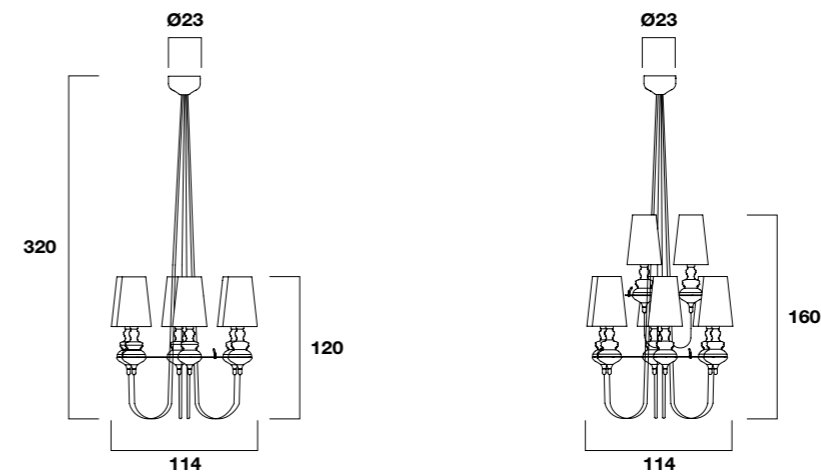


Ceramic bases supported by metal hoop or hoops. Metal ceiling rose. The entire unit finished with the same colors. Black or white shades in chintz fabric and platinum or gold in Metalon. Self-locking adjustable steel suspension cables. Textile cable in the same colours. Ambient light.

Design by Jaime Hayon

Dimensions cm

Family page 60-96-120



Josephine Queen 6

Structure / Ceramic	€
257902500 White	10.416,00
257904700 Black	10.416,00
257907200 Platinum	13.625,00
257900300 Gold	13.625,00
Shade	
810882500 x 6 White	1.182,00
810884700 x 6 Black	1.182,00
810887200 x 6 Platinum	1.362,00
810880300 x 6 Gold	1.362,00
Lamp	
E27 Max. 6x70W	

Josephine Queen 6.3

Structure / Ceramic	€
257802500 White	14.740,00
257804700 Black	14.740,00
257807200 Platinum	19.451,00
257800300 Gold	19.451,00
Shade	
810882500 x 9 White	1.773,00
810884700 x 9 Black	1.773,00
810887200 x 9 Platinum	2.034,00
810880300 x 9 Gold	2.034,00
Lamp	
E27 Max. 9x70W	



Josephine Queen Hanging



Josephine mini Queen Hanging

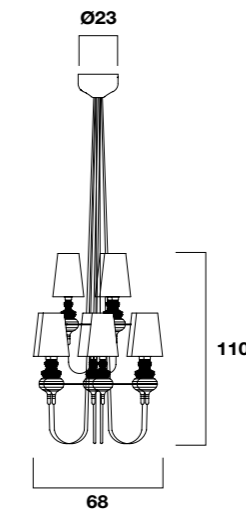
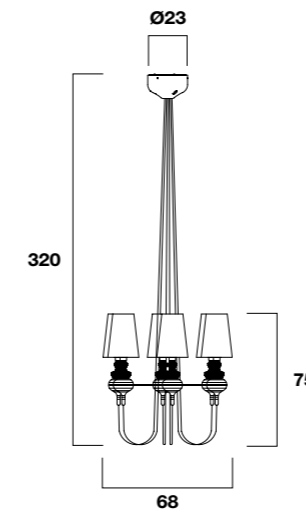
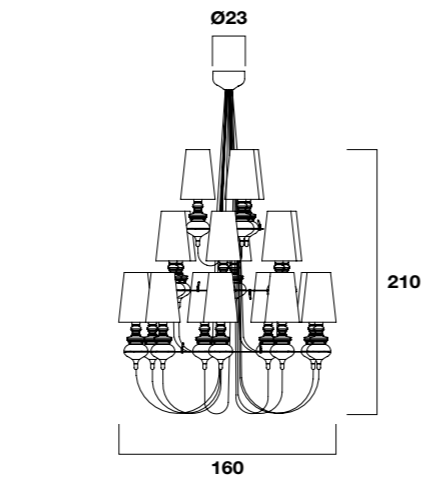
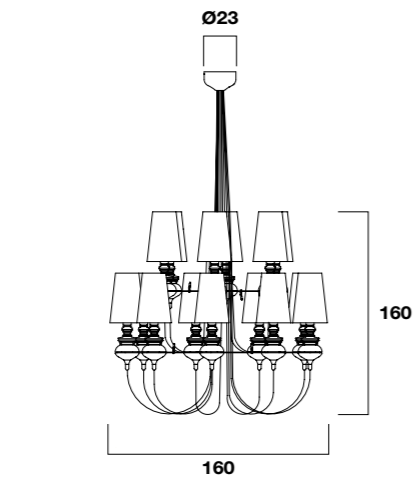
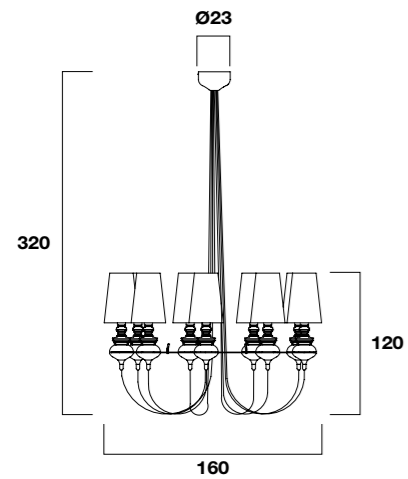


Ceramic bases supported by metal hoop or hoops. Metal ceiling rose. The entire unit finished with the same colors. Black or white shades in chintz fabric and platinum or gold in Metalon. Self-locking adjustable steel suspension cables. Textile cable in the same colours. Ambient light.

Design by Jaime Hayon

Dimensions cm

Family page 60-96-120



Josephine Queen 9

Structure / Ceramic	€
258102500 White	14.741,00
258104700 Black	14.741,00
258107200 Platinum	19.216,00
258100300 Gold	19.216,00
Shade	
810882500 x 9 White	1.773,00
810884700 x 9 Black	1.773,00
810887200 x 9 Platinum	2.034,00
810880300 x 9 Gold	2.034,00
Lamp	
E27 Max. 9x70W	

Josephine Queen 9.6

Structure / Ceramic	€
258002500 White	20.832,00
258004700 Black	20.832,00
258007200 Platinum	31.112,00
258000300 Gold	31.112,00
Shade	
810882500 x 15 White	2.955,00
810884700 x 15 Black	2.955,00
810887200 x 15 Platinum	3.405,00
810880300 x 15 Gold	3.405,00
Lamp	
E27 Max. 15x70W	

Josephine Queen 9.6.3

Structure / Ceramic	€
257702500 White	24.041,00
257704700 Black	24.041,00
257707200 Platinum	35.466,00
257700300 Gold	35.466,00
Shade	
810882500 x 18 White	3.546,00
810884700 x 18 Black	3.546,00
810887200 x 18 Platinum	4.086,00
810880300 x 18 Gold	4.086,00
Lamp	
E27 Max. 18x70W	

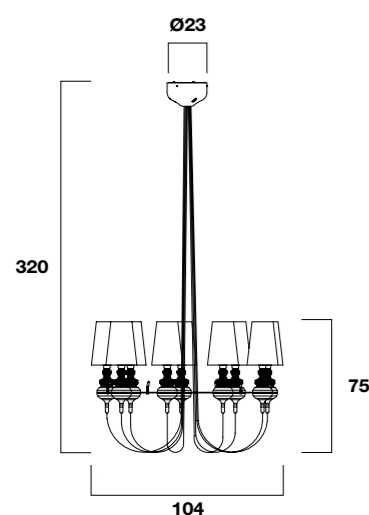
Josephine mini Queen 6

Structure / Ceramic	€
265302500 White	8.315,00
265304700 Black	8.315,00
265307200 Platinum	11.220,00
265300300 Gold	11.220,00
Shade	
812082500x6 White	456,00
812084700x6 Black	456,00
812087200x6 Platinum	954,00
812080300x6 Gold	954,00
Lamp	
E27 Max. 6x40W	

Josephine mini Queen 6.3

Structure / Ceramic	€
265402500 White	12.018,00
265404700 Black	12.018,00
265407200 Platinum	15.552,00
265400300 Gold	15.552,00
Shade	
812082500x9 White	684,00
812084700x9 Black	684,00
812087200x9 Platinum	1.431,00
812080300x9 Gold	1.431,00
Lamp	
E27 Max. 9x40W	

**Josephine mini Queen
Hanging**



Josephine mini Queen 9

Structure / Ceramic	€
264902500 White	11.584,00
264904700 Black	11.584,00
264907200 Platinum	15.226,00
264900300 Gold	15.226,00
Shade	
812082500x9 White	684,00
812084700x9 Black	684,00
812087200x9 Platinum	1.431,00
812080300x9 Gold	1.431,00
Lamp	
E27 Max. 9x40W	

Josephine mini Queen 9.6

Structure / Ceramic	€
265502500 White	16.658,00
265504700 Black	16.658,00
265507200 Platinum	25.285,00
265500300 Gold	25.285,00
Shade	
812082500x15 White	1.140,00
812084700x15 Black	1.140,00
812087200x15 Platinum	2.385,00
812080300x15 Gold	2.385,00
Lamp	
E27 Max. 15x40W	

Josephine mini Queen 9.6.3

Structure / Ceramic	€
265602500 White	18.973,00
265604700 Black	18.973,00
265607200 Platinum	28.707,00
265600300 Gold	28.707,00
Shade	
812082500x18 White	1.368,00
812084700x18 Black	1.368,00
812087200x18 Platinum	2.862,00
812080300x18 Gold	2.862,00
Lamp	
E27 Max. 18x40W	

**Lewit
Hanging**

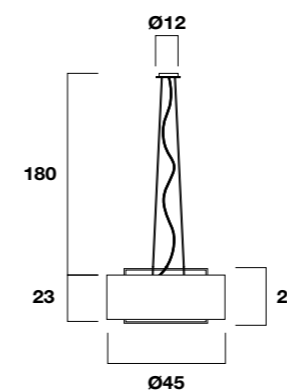


Square steel base. Cylindrical lampshade available in white, black or grey in chintz fabric, or coral, grey or green in Kvadrat fabrics. Metal frame and ceiling rose. Three stainless steel adjustable, self-locking cables. Electrical cable in black and white. Ambient lighting.

Design by Jordi Veciana

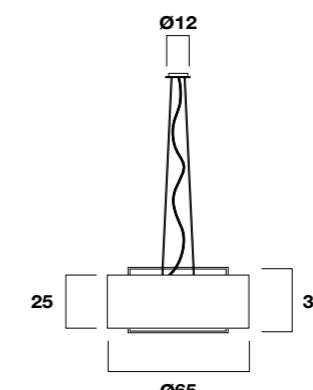
Dimensions cm

Family page 64-100-122



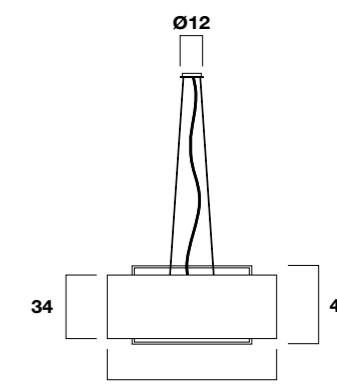
Lewit t Pe

Structure	€
254002500 White	492,00
254004700 Black	492,00
254006900 Dark grey	492,00
254008400 Red oxide	492,00
Shade	
811282500 White	137,00
811284700 Black	137,00
811286900 Dark grey	137,00
811284500 Grey Kvadrat	197,00
811288000 Coral Kvadrat	197,00
811288500 Green Kvadrat	197,00
Lamp	
E27 Max. 2x70W	



Lewit t Me

Structure	€
249002500 White	545,00
249004700 Black	545,00
249006900 Dark grey	545,00
249008400 Red oxide	545,00
Shade	
810482500 White	212,00
810484700 Black	212,00
810486900 Dark grey	212,00
810484500 Grey Kvadrat	318,00
810488000 Coral Kvadrat	318,00
810488500 Green Kvadrat	318,00
Lamp	
E27 Max. 3x70W	



Lewit t Gr

Structure	€
254102500 White	644,00
254104700 Black	644,00
254106900 Dark grey	644,00
254108400 Red oxide	644,00
Shade	
811382500 White	402,00
811384700 Black	402,00
811386900 Dark grey	402,00
811384500 Grey Kvadrat	560,00
811388000 Coral Kvadrat	560,00
811388500 Green Kvadrat	560,00
Lamp	
E27 Max. 3x70W	

Pamela Hanging

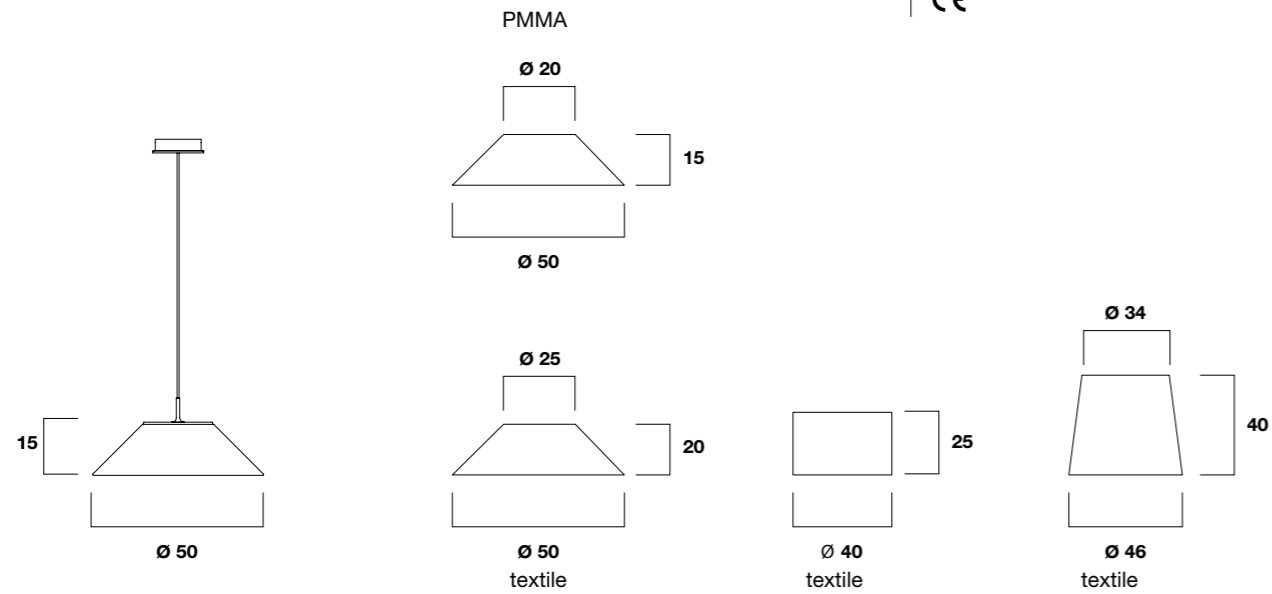


Steel structure in various finishes, brass plated, black chrome or white paint. PMMA injected glass and textile effect lampshade with painted steel base. Dimmable*. Direct and ambient lighting.

Design by Ramon Úbeda & Otto Canalda

Dimensions cm

Family page 68-106-150



Pamela t

Structure	€
269802501 White 2700K	524,00
269802500 White 3000K	524,00
269800901 Black chrome 2700K	592,00
269800900 Black chrome 3000K	592,00
269800301 Brass 2700K	592,00
269800300 Brass 3000K	592,00

Lamp

LED integrated 19W - dimmable -1600lm

Shade PMMA	€
882082500 White	83,00
Shade textile	
884082500 Conical white	108,00
884084700 Conical black	108,00
883088425 Conical red, white rod	108,00
883088447 Conical red, black rod	108,00
883082500 Cylindrical white	108,00
883084700 Cylindrical black	108,00
884088425 Cylindrical red, white rod	108,00
884088447 Cylindrical red, black rod	108,00
885082500 Semi cylindrical white	108,00
885084700 Semi cylindrical black	108,00
885088425 Semi cylindrical red, white rod	108,00
885088447 Semi cylindrical red, black rod	108,00

* With wall regulator (no included)

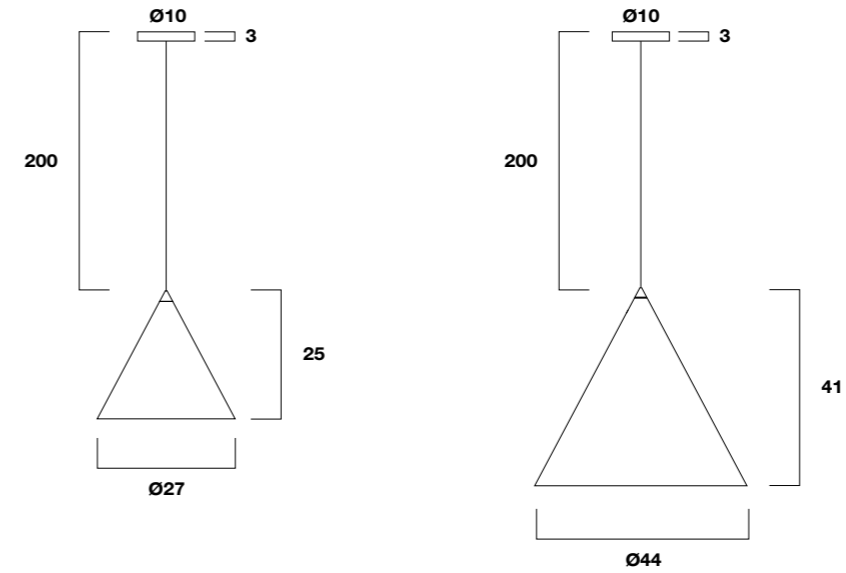
Ray Hanging



Spun aluminum shade; exterior polished and painted. Inside always white finish. Textile cable in the same colours. Direct Light.

Design by Jordi Veciana

Dimensions cm



Ray Pe

Structure / Shade	€
249704700 Black mate	330,00
249702500 White	330,00
249706900 Dark grey	330,00
249707000 Grey	330,00
249708400 Red	330,00
249707700 Yellow	330,00
249701500 Pink	330,00

Lamp

E27 Max. 70W

Ray Gr

Structure / Shade	€
249804700 Black mat	444,00
249802500 White	444,00
249806900 Dark grey	444,00
249807000 Grey	444,00
249808400 Red	444,00
249807700 Yellow	444,00
249801500 Pink	444,00

Lamp

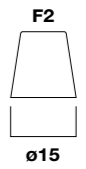
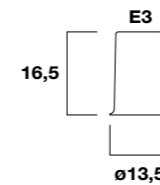
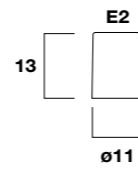
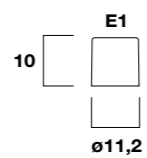
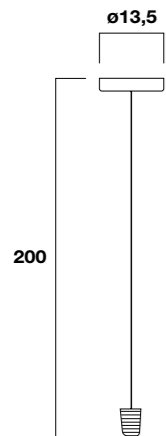
E27 Max. 70W



Spun aluminium diffusers. All the diffusers share a common part, allowing for combined assembly. Florón circular pintado con pintura Axalta ceiling rose in the same colour as the electrical cable. Direct and indirect lighting.

Design by Paul & Christopher Massie

Dimensions cm.



Sentry

Electric Group	€
267002500 White	245,00
267004700 Black	245,00
Lamp	
E27 Max. 40W	

Diffuser E1	€
867182500 White	121,00
867184700 Black	121,00
867181500 Pink	121,00
867187500 Pink pastel tone	121,00
867184100 Green pastel tone	121,00
867184600 Greenish-blue	121,00
867185700 Violet pastel tone	121,00
867187700 Yellow	121,00
867187900 Terracotta	121,00
867188400 Red	121,00

Diffuser E2	€
867282500 White	121,00
867284700 Black	121,00
867281500 Pink	121,00
867287500 Pink pastel tone	121,00
867284100 Green pastel tone	121,00
867284600 Greenish-blue	121,00
867285700 Violet pastel tone	121,00
867287700 Yellow	121,00
867287900 Terracotta	121,00
867288400 Red	121,00

Diffuser E3	€
867382500 White	121,00
867384700 Black	121,00
867381500 Pink	121,00
867387500 Pink pastel tone	121,00
867384100 Green pastel tone	121,00
867384600 Greenish-blue	121,00
867385700 Violet pastel tone	121,00
867387700 Yellow	121,00
867387900 Terracotta	121,00
867388400 Red	121,00

Diffuser F1	€
867482500 White	121,00
867484700 Black	121,00
867481500 Pink	121,00
867487500 Pink pastel tone	121,00
867484100 Green pastel tone	121,00
867484600 Greenish-blue	121,00
867485700 Violet pastel tone	121,00
867487700 Yellow	121,00
867487900 Terracotta	121,00
867488400 Red	121,00

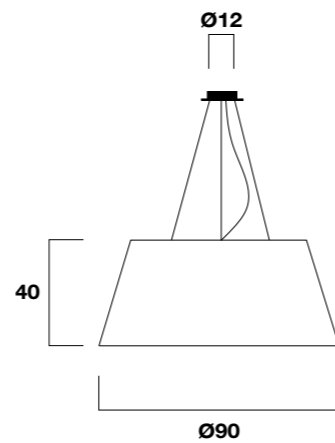
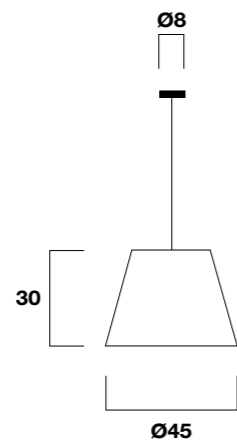
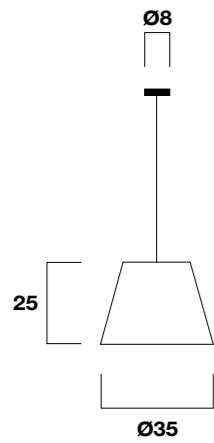
Diffuser F2	€
867582500 White	121,00
867584700 Black	121,00
867581500 Pink	121,00
867587500 Pink pastel tone	121,00
867584100 Green pastel tone	121,00
867584600 Greenish-blue	121,00
867585700 Violet pastel tone	121,00
867587700 Yellow	121,00
867587900 Terracotta	121,00
867588400 Red	121,00

**Shoelaces
Hanging**



Shade made with shoelaces in different colors. Steel structure painted in black. Black electrical cable in fabrics. Metal ceiling rose painted in black. Adjustable self-locking stainless-steel suspension cables in Gr and Billar. Direct and ambient light.

Design by Curro Claret
Dimensions cm.
Family page 72
CE



Shoelaces t Pe

Structure	€
268504700 Black	341,00
268502100 Grey	341,00
268508400 Red	341,00
268506200 Green Fluor	341,00
268509900 Multi-colour	341,00
Lamp	
E27 Max. 70W	

Shoelaces t Me

Structure	€
268004700 Black	462,00
268002100 Grey	462,00
268008400 Red	462,00
268006200 Green Fluor	462,00
268009900 Multi-colour	462,00
Lamp	
E27 Max. 70W	

Shoelaces t Gr

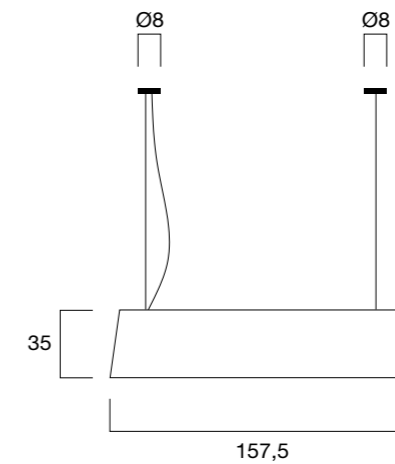
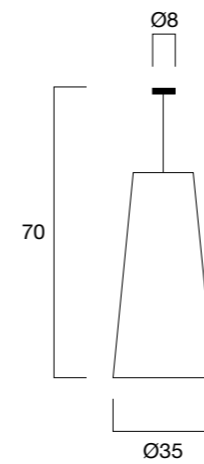
Structure	€
268304700 Black	894,00
268302100 Grey	894,00
268308400 Red	894,00
268306200 Green Fluor	894,00
268309900 Multi-colour	894,00
Lamp	
E27 Max. 3x70W	

**Shoelaces
Hanging**



Shade made with shoelaces in different colors. Steel structure painted in black. Black electrical cable in fabrics. Metal ceiling rose painted in black. Adjustable self-locking stainless-steel suspension cables in Gr and Billar. Direct and ambient light.

Design by Curro Claret
Dimensions cm.
Family page 72
CE



Shoelaces t Cono

Structure	€
268404700 Black	561,00
268402100 Grey	561,00
268408400 Red	561,00
268406200 Green Fluor	561,00
268409900 Multi-colour	561,00
Lamp	
E27 Max. 70W	

Shoelaces t Billar

Structure	€
268204700 Black	1.115,00
268202100 Grey	1.115,00
268208400 Red	1.115,00
268206200 Green Fluor	1.115,00
268209900 Multi-colour	1.115,00
Lamp	
E27 Max. 4x70W	

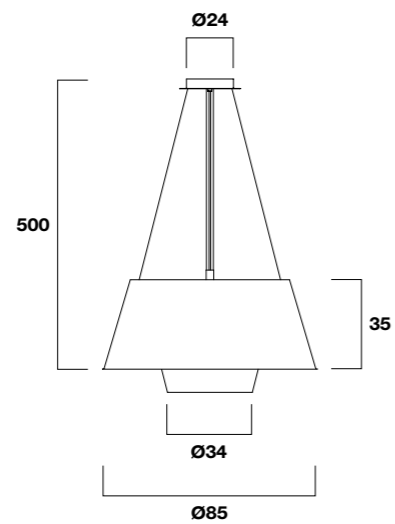
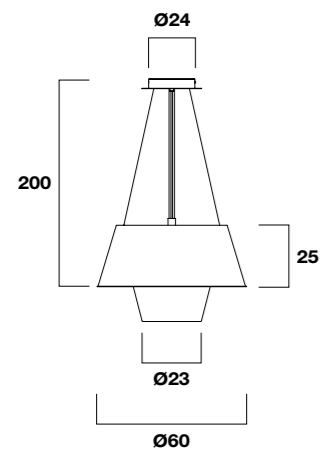
**Tanuki
Hanging**



Two screens, the outer one with vertical motion, which focuses the light output up (ambient light) or down (direct light). For Pe version inner thermoforming opal methacrylate shade and for Gr version spun aluminum. Metal ceiling rose. Three adjustable self-locking stainless-steel suspension cables. Black electrical cable. Inside surface of the inner shade always in white.

Design by Itamar Burnstein

Dimensions cm



Tanuki t Pe

Structure	€
266402500 White	1.244,00
266404700 Black/White	1.244,00
266404741 Black/Green	1.244,00
Lamp	
E27 Max. 70W	

Tanuki t Gr

Structure	€
266602500 White/White-White	1.547,00
266604700 Black/White-Black	1.547,00
266604710 Black/Green-White	1.547,00
266604720 Black/White-White	1.547,00
Lamp	
E27 Max. 2x70W	

**Alta Costura
Table**



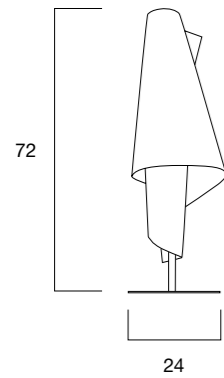
PVC shade for the original Alta Costura and blacklit for Alta Costura Flags and customizable models. Black base and column with Axalta paint. Ambient light.

Original design Josep Aregall

Design Alta Costura Flags
Josep Aregall & Ramón Úbeda

Dimensions cm

Family page 78



Alta Costura S

Structure / Shade €

427504701 Axalta black / PVC 387,00

Lamp

Integrated LED 5W - 2700K - 500lm

Alta Costura Flags S

Structure / Shade

4277047XX Customizable Backlight on request

Lamp

Integrated LED 5W - 2700K - 500lm

Depending on the design

**Copacabana Queen
Table lamps**

**Eva
Table**

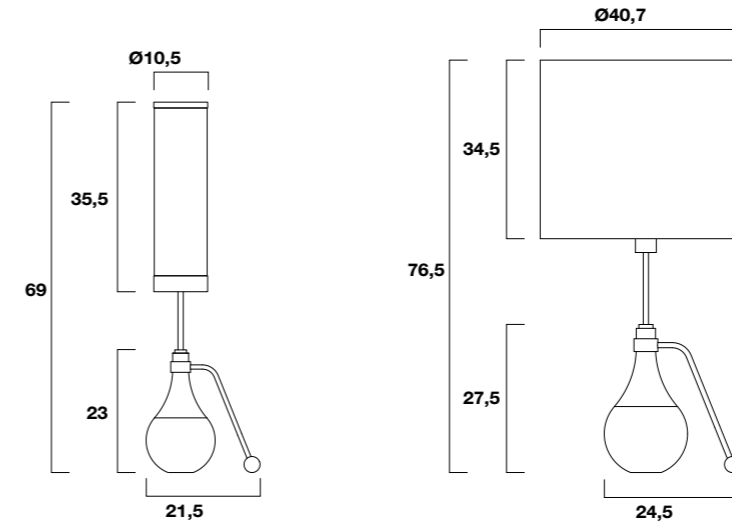


White Carrera marble base with a shiny nickel steel structure and a Pyrex diffuser in the Eva m Me model.
Black Markina marble base with a brass-plated steel structure and a white textile screen in the Eva m Gr model. Ambient light.

Design by Lázaro Rosa-Violán

Dimensions cm

Family page 88



Eva m Me

Structure / Shade €

466802500 White marble / Pyrex 1.441,00

Lamp

E27 T30 Max. 60W

Eva m Gr

Structure €

466904700 Black marble 1.259,00

Shade

870782500 White 143,00

Lamp

E27 Max. 70W

**Frank
Table**



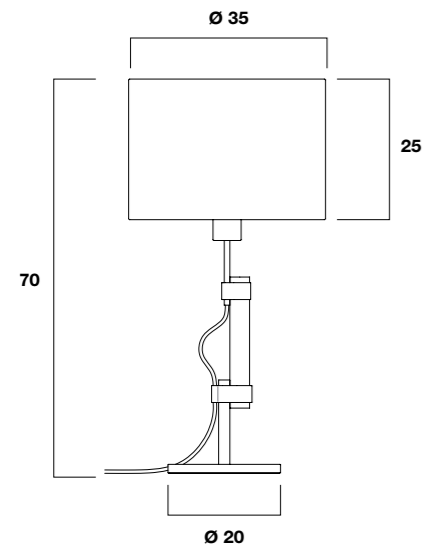
**Copacabana Queen
Table lamps**

Structure made of black shiny steel, shiny copper. Sard fabric shade with white color inside and black or white in the exterior. Natural leather ribbon. Ambient light.

Design by Lázaro Rosa-Violán

Dimensions cm

Family page 90



Frank m

Structure	€
498604700 Black brilliant	985,00
Shade	
870882500 White	114,00
870884700 Black	114,00
Lamp	
E27 Max. 70W	

**Funghi
Table**

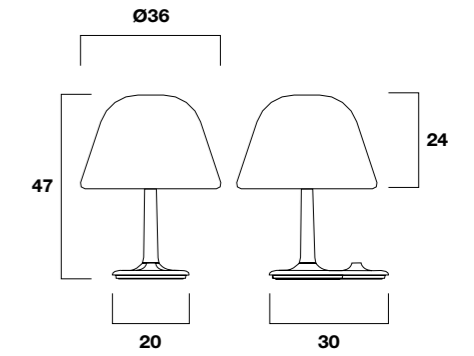
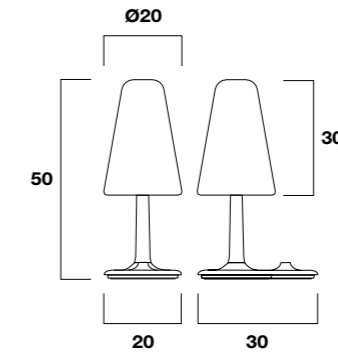
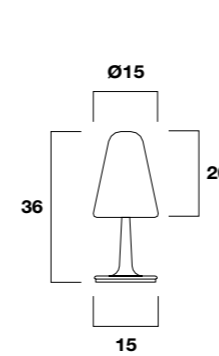


Ceramic lampshade and structure. The m Pe version is activated via an adjustable on/off switch located on the electric cable. The m Me and m Gr versions are activated via a "Touch Dimmer*" located on the base. Ambient lighting.

Design by Jaime Hayon

Dimensions cm

Family page 116



Funghi m Pe

Structure / Ceramic	€
454702500 White	410,00
454704700 Black	410,00
Lamp	
E14 Max. 40W	

Funghi m Me

Structure / Ceramic	€
454802500 White	880,00
454804700 Black	880,00
Lamp	
E14 Max. 2x40W	

Funghi m Gr

Structure / Ceramic	€
454902500 White	971,00
454904700 Black	971,00
Lamp	
E14 Max. 3x40W	

* Consult recommended lamps

**Hansen
Table**

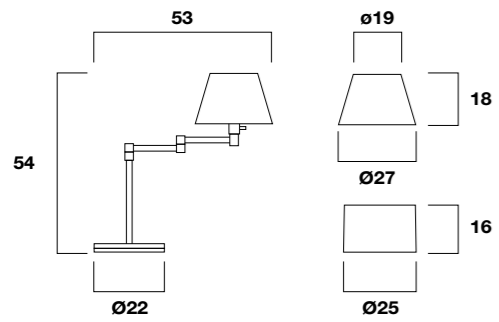


Brass structure with either polished brass or matte nickel finish. Conical shade in white trilon fabric or cylindrical shade in beige cardboard. Direct and ambient light.

Design by George W. Hansen

Dimensions cm

Family page 92-118



Hansen 4010

Structure		€
401000100	Polished brass	576,00
401001000	Satin nickel	599,00
Shade		
800580225	Conical. Trilon. White	76,00
808780326	Cylindrical. Cardboard. Beige	53,00
Lamp		
E27 Max. 70W		

**Inout IN
Table**



One-piece rotomoulded polyethylene structure. Chromed injected ABS inspection cover. Switching by means of on/off switch located in the electrical cable. Only for indoor use. Ambient light.

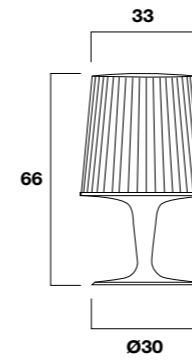
**Copacabana Queen
Table lamps**



Design by Ramón Úbeda and Otto Canalda

Dimensions cm

Family page 20-94-142



Inout Pe

Structure / Polyethylene		€
747800000	White	531,00
747800030	Red	584,00
Lamp		
E27 Max. 40W		

**Josephine
Table**



**Copacabana Queen
Table lamps**

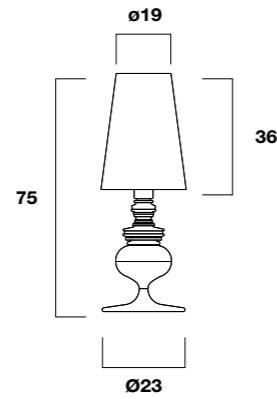
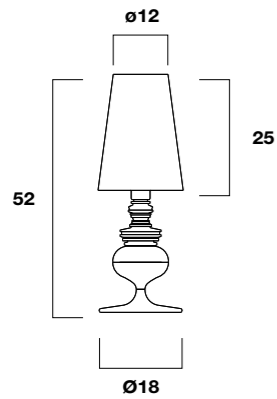


Ceramic structure. Black or white shades in chintz fabric and platinum or gold in metalon. Electrical cable covered in cotton with the same colors. Ambient light.

Design by Jaime Hayon

Dimensions cm

Family page 22-24-96-120



Josephine mini m

Structure / Ceramic	€
459102500 White	683,00
459104700 Black	683,00
459107200 Platinum	1.039,00
459100300 Gold	1.039,00
Shade	
812082500 White	76,00
812084700 Black	76,00
812087200 Platinum	159,00
812080300 Gold	159,00
Lamp	
E27 Max. 40W	

Josephine m

Structure / Ceramic	€
451602500 White	804,00
451604700 Black	804,00
451607200 Platinum	1.236,00
451600300 Gold	1.236,00
Shade	
810882500 White	197,00
810884700 Black	197,00
810887200 Platinum	227,00
810880300 Gold	227,00
Lamp	
E27 Max. 70W	

**Las Santas
Table**

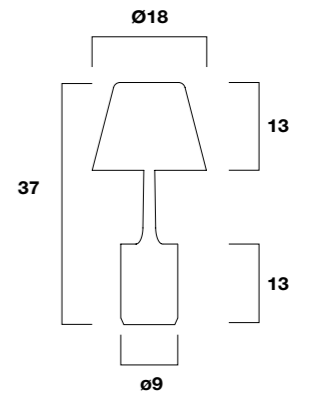
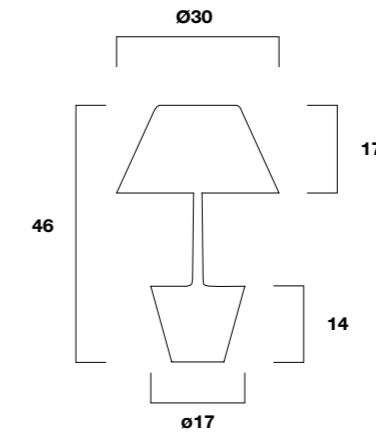
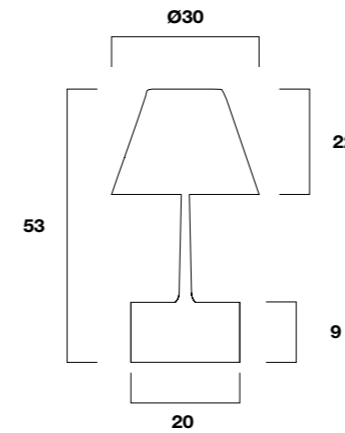


**Copacabana Queen
Table lamps**

White ceramic base and column. Methacrylate lampshade. The Lolita version is activated via an adjustable on / off switch located on the electric cable. The Maria and Teresa versions are activated via a "Touch Dimmer*" located on the base. Ambient lighting.

Design by Jaime Hayon

Dimensions cm



María

Structure / Ceramic	€
462302500 White	903,00
Shade / Methacrylate	
White	
Lamp	
E27 Max. 70W	

Teresa

Structure / Ceramic	€
462502500 White	796,00
Shade / Methacrylate	
White	
Lamp	
E27 Max. 70W	

Lolita

Structure / Ceramic	€
462702500 White	606,00
Shade / Methacrylate	
White	
Lamp	
G9 Eco Máx 33W	

* Consult recommended lamps

**Lewit
Table**



Square steel base. Cylindrical lampshade available in white, black or grey in chintz fabric, or coral, grey or green in Kvadrat fabrics. Upper diffuser in white-painted perforated sheet metal. It switches on with an on/off switch found on the electrical cable for the m Pe version, and on the buckler for the m Me and m Gr versions. Ambient lighting.

**Copacabana Queen
Table lamps**



Design by Jordi Veciana

Dimensions cm

Family page 30-100-122



**Libra
Table**



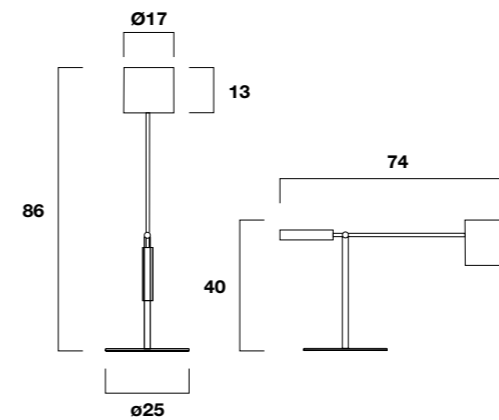
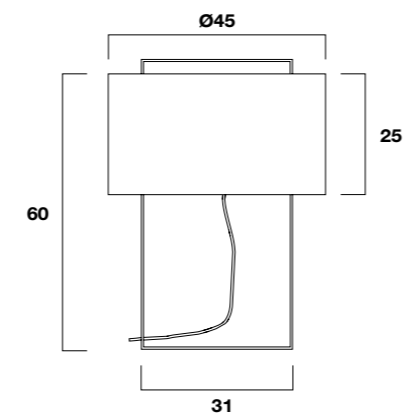
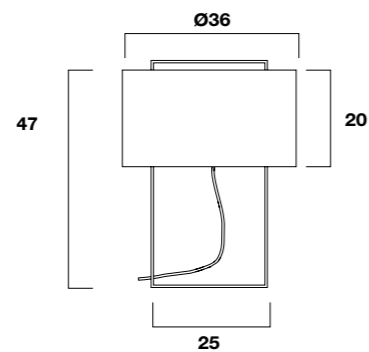
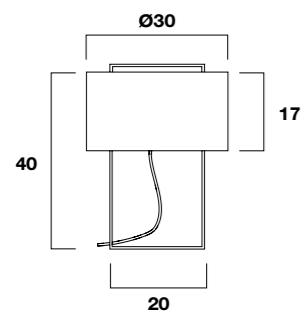
Metal structure with matte nickel finish. Fully-adjustable arm. Tilting shade, either cylindrical white card. Switching by means of on/off switch located in the electrical cable. Direct or ambient light according to which shade is chosen.

**Copacabana Queen
Table lamps**

Design by Metalarte

Dimensions cm

Family page 102-124



Lewit m Pe

Structure	€
457502500 White	348,00
457504700 Black	348,00
457506900 Dark grey	349,00
457508400 Red oxide	349,00
Shade	
811682500 White	61,00
811684700 Black	61,00
811686900 Dark grey	61,00
811684500 Grey Kvadrat	83,00
811688000 Coral Kvadrat	83,00
811688500 Green Kvadrat	83,00
Lamp	
E27 Max. 40W	

Lewit m Me

Structure	€
448602500 White	363,00
448604700 Black	363,00
448606900 Dark grey	364,00
448608400 Red oxide	364,00
Shade	
810282500 White	76,00
810284700 Black	76,00
810286900 Dark grey	76,00
810284500 Grey Kvadrat	99,00
810288000 Coral Kvadrat	99,00
810288500 Green Kvadrat	99,00
Lamp	
E27 Max. 70W	

Lewit m Gr

Structure	€
448702500 White	378,00
448704700 Black	378,00
448706900 Dark grey	378,00
448708400 Red oxide	378,00
Shade	
810382500 White	99,00
810384700 Black	99,00
810386900 Dark grey	99,00
810384500 Grey Kvadrat	129,00
810388000 Coral Kvadrat	129,00
810388500 Green Kvadrat	129,00
Lamp	
E27 Max. 70W	

Libra m

Structure	€
453201000 Satin nickel	569,00
Shade / Cylindrical	
811082500 Cardboard. White	99,00
Lamp	
G9 Eco. Max. 60W	

**Pamela
Table**



**Copacabana Queen
Table lamps**

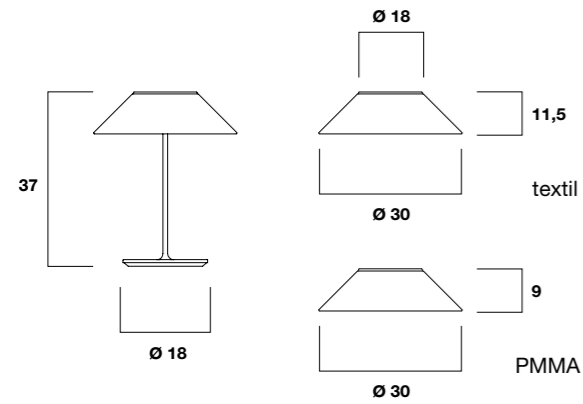


Steel structure in various finishes, brass plated or black chrome and white paint. PMMA injected glass-effect lampshade. Activated by "Touch Dimmer", with a position LED located on the base. Direct and ambient lighting.

Design by Ramon Úbeda & Otto Canalda

Dimensions cm

Family page 32-106-150



Pamela m Pe

Structure	€
498702501 White 2700K	334,00
498702500 White 3000K	334,00
498700901 Black chrome 2700K	372,00
498700900 Black chrome 3000k	372,00
498700301 Brass 2700K	372,00
498700300 Brass 3000K	372,00

Lamp
integrated LED 17W - dimmable - 1100lm

Shade PMMA	€
881082500 White	46,00
Shade textile	
886082500 Conical white	95,00
886084700 Conical black	95,00

**Pamela
Table**



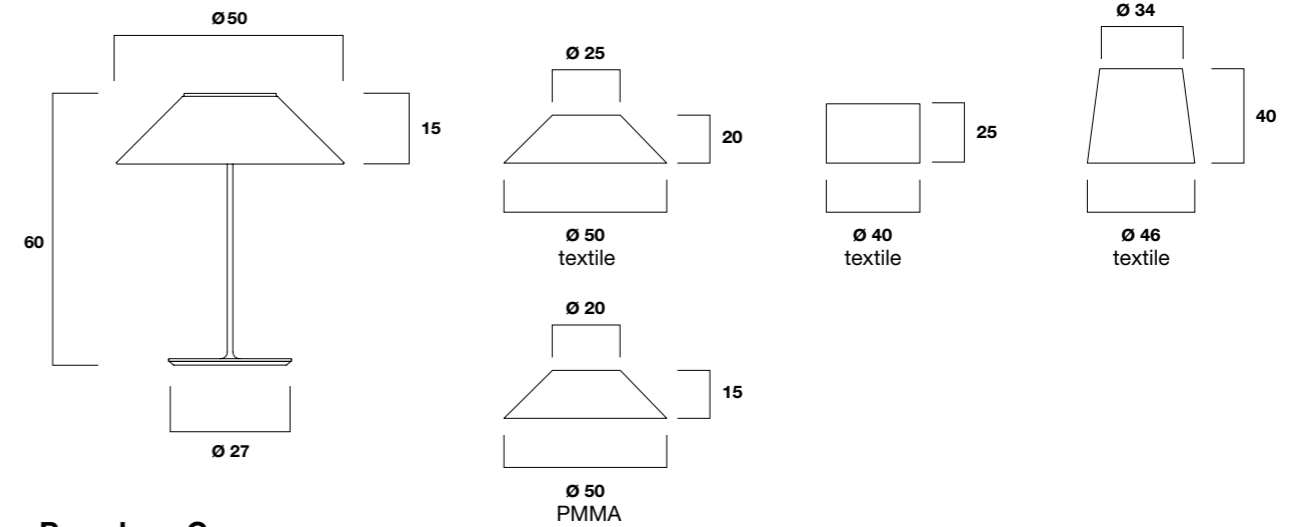
**Copacabana Queen
Table lamps**

Steel structure in various finishes, brass plated, black chrome or white paint. PMMA injected glass and textile effect lampshade with painted steel base. Activated by "Touch Dimmer", with a position LED located on the base. Direct and ambient lighting.

Design by Ramon Úbeda & Otto Canalda

Dimensions cm

Family page 32-106-150



Pamela m Gr

Structure	€
498802501 White 2700K	615,00
498802500 White 3000K	615,00
498800901 Black chrome 2700K	683,00
498800900 Black chrome 3000K	683,00
498800301 Brass 2700K	683,00
498800300 Brass 3000K	683,00

Lamp
LED integrated 19W - dimmable -1600lm

Shade PMMA	€
882082500 White	83,00
Shade textile	
884082500 Conical white	108,00
884084700 Conical black	108,00
883088425 Conical red, white rod	108,00
883088447 Conical red, black rod	108,00
883082500 Cylindrical white	108,00
883084700 Cylindrical black	108,00
884088425 Cylindrical red, white rod	108,00
884088447 Cylindrical red, black rod	108,00
885082500 Semi cylindrical white	108,00
885084700 Semi cylindrical black	108,00
885088425 Semi cylindrical red, white rod	108,00
885088447 Semi cylindrical red, black rod	108,00

**Shoelaces
Table**

Copacabana Queen
Table lamps

**Stones
Table**

Copacabana Queen
Table lamps



Shade made with shoelaces in different colors. Steel structure painted in black. Black electrical cable in fabrics. Ambient light.

Design by Curro Claret

Dimensions cm

Family page 40

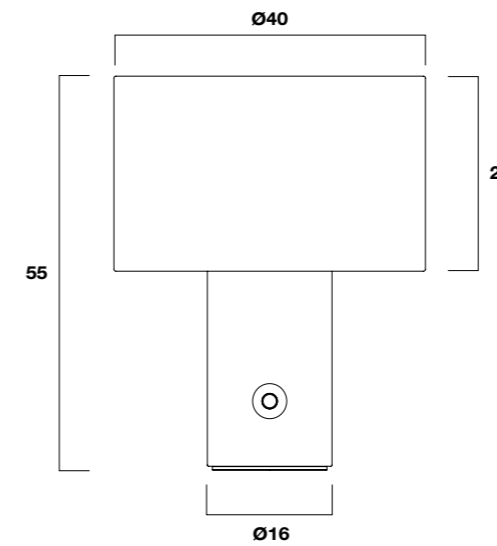
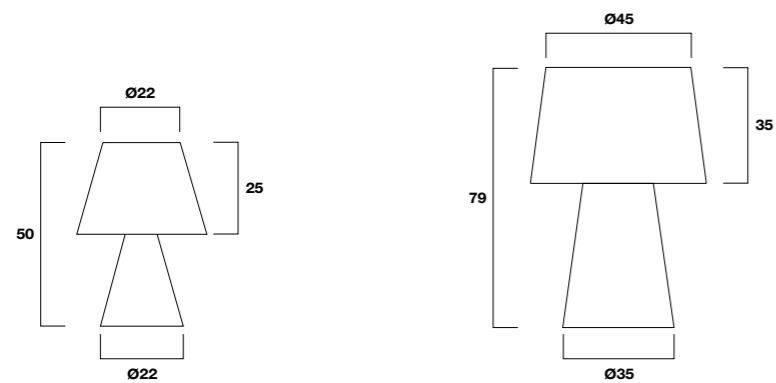


Technical stone structure in black, white or grey. Cylindrical screen in Montblanc with the same colours. Activated via a "Touch Dimmer **" located in the column base. Ambient lighting.

Design by Ramón Úbeda and Otto Canalda

Dimensions cm

Family page 152



Shoelaces Pe

Shoelaces Me

Structure	€
458004700 Black	401,00
458002100 Grey	401,00
458008400 Red	401,00
458006200 Green Fluor	401,00
458009900 Multi-colour	401,00
Lamp	
E27 Max. 70W	

Structure	€
458104700 Black	788,00
458102100 Grey	788,00
458108400 Red	788,00
458106200 Green Fluor	788,00
458109900 Multi-colour	788,00
Lamp	
E27 Max. 3x70W	

Sharon

Structure	€
471202500 White	553,00
471204700 Black	553,00
471204500 Grey	553,00
Shade	
870402500 White	114,00
870404700 Black	114,00
870402100 Grey	114,00
Lamp	
E27 max 70W	

* Consult recommended lamps

**Alta Costura
Floor**

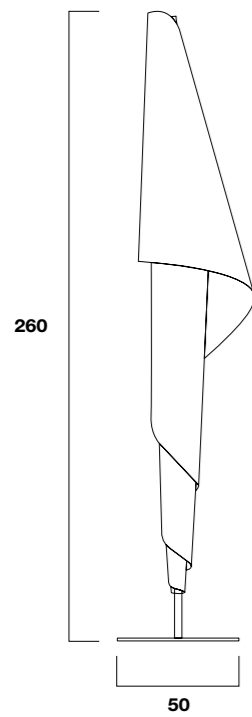


Steel base and column, painted in Axalta black. PVC screen. Ambient light.

Design by Josep Aregall

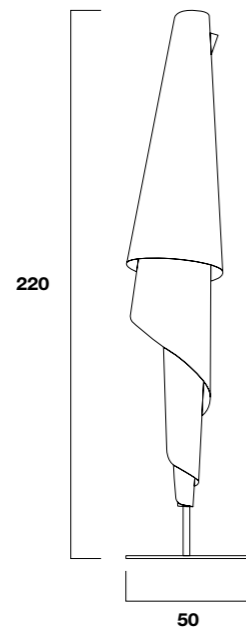
Dimensions cm

Family page 48



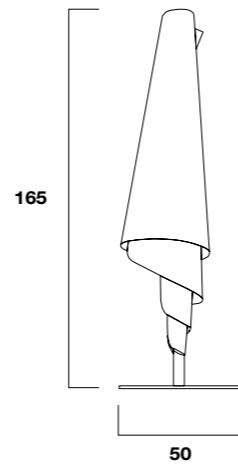
Alta Costura L

Structure / Shade	€
326904701 Axalta black / PVC	1.138,00
Integrated LED 30W - 2700K - 2650lm	



Alta Costura M

Structure / Shade	€
326704701 Axalta black / PVC	979,00
Integrated LED 30W - 2700K - 2650lm	



Alta Costura MS

Structure / Shade	€
327604701 Axalta black / PVC	705,00
Integrated LED 15W - 2700K - 1325lm	

**Alta Costura
Floor**



Steel base and column, painted in Axalta black. PVC screen. Ambient light.

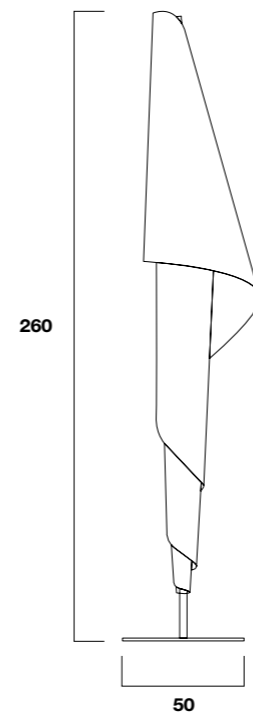
Original design by Josep Aregall

Design Alta Costura by
Cristian Zuzunaga

Design Alta Costura Flags by
Josep Aregall & Ramón Ubeda

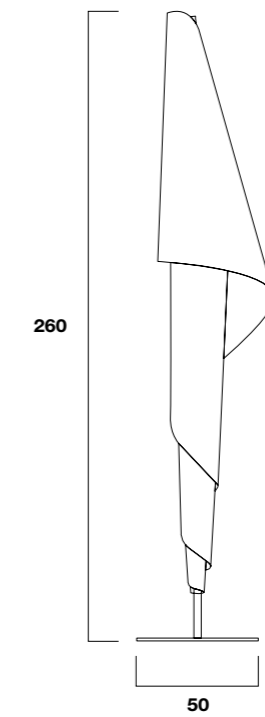
Dimensions cm

Family page 48



Alta Costura Zuzunaga

Structure / Shade	€
327104709	1.538,00
Lamp	
Integrated LED 35W - 2700K - 2650lm	



Alta Costura L Flags

Structure / Shade	
3271047XX Customizable	on request
Lamp	
Integrated LED 35W - 2700K - 2650lm	

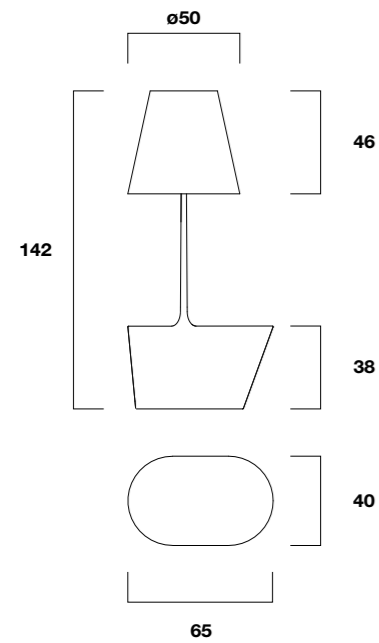
**América
Floor**



Injected polyurethane base and flared metal column finished in black or white piano lacquer. Black or white shaded in patent leather or chintz fabric. Activated via a "Touch Dimmer" located in the base. Ambient light.

Design by Jaime Hayon

Dimensions cm



América

Structure / Polyurethane	€
362102500 White	1.547,00
362104700 Black	1.547,00
Shade	
862282500 White	288,00
862282501 White. chintz	205,00
862284700 Black	288,00
862284701 Black. chintz	205,00
Lamp	
E27 Max. 2x70W	

* Consult recommended lamps

**Bailaora
Floor**

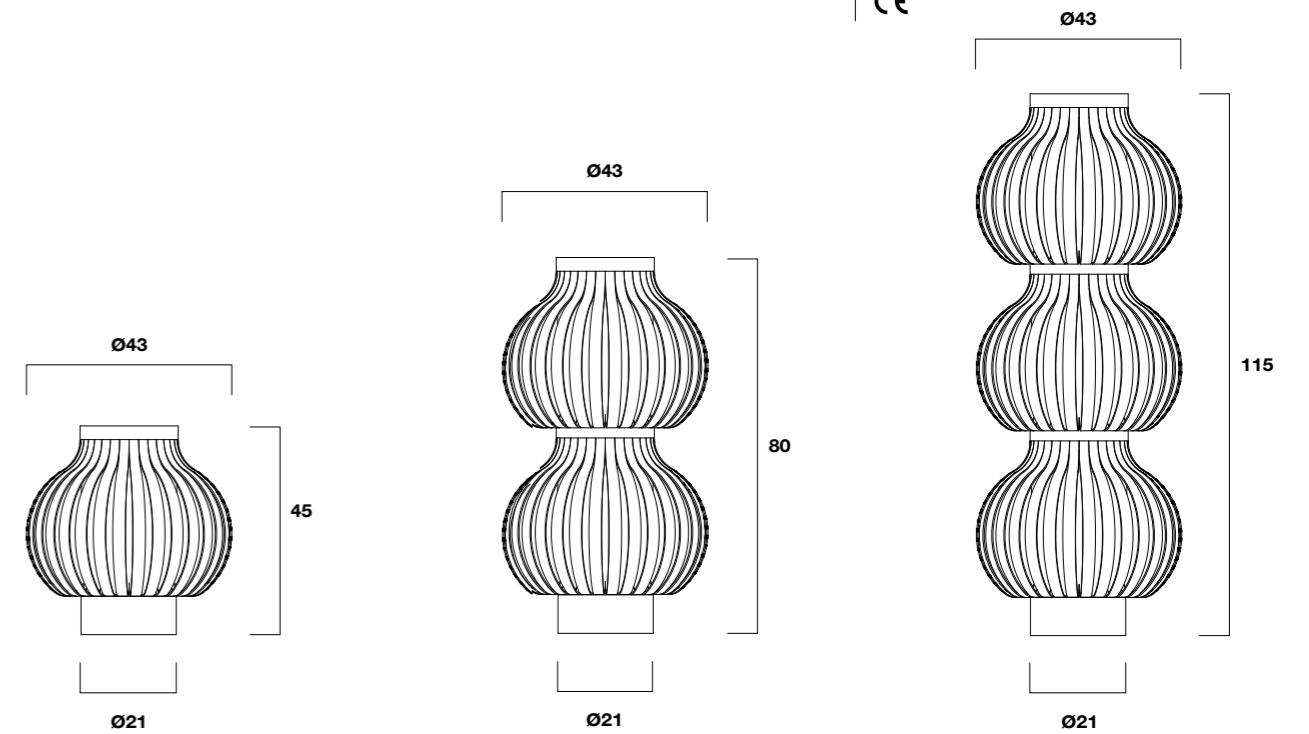


Salinized methacrylate cylindrical structure, coated in black or white EVA foam. Ambient light

Design by Enoc Armengol

Dimensions cm

Family page 10



Bailaora p

Structure	€
361800000 Electric Group	303,00
Diffuser	
861782500 White	364,00
861784700 Black	364,00
Lamp	
E27 Max. 70W	

**Copacabana
Floor**

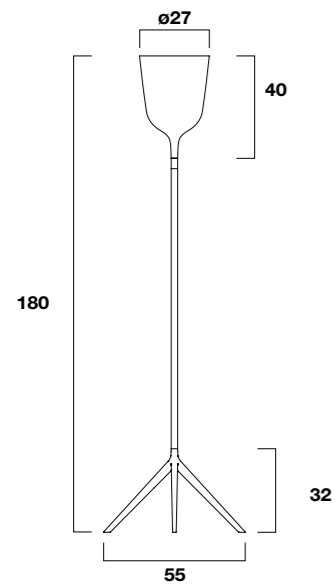


Central column consisting of smooth steel and cast-aluminum base. White shade ceramic combined with white structure and black and copper porcelain shade combined with black structure. Switched on via adjustable, touch-sensitive on/off dimmable* sensor located in the column. Please ask gold and platinum finish. Direct light.

Design by Jaime Hayon

Dimensions cm

Family page 12-114

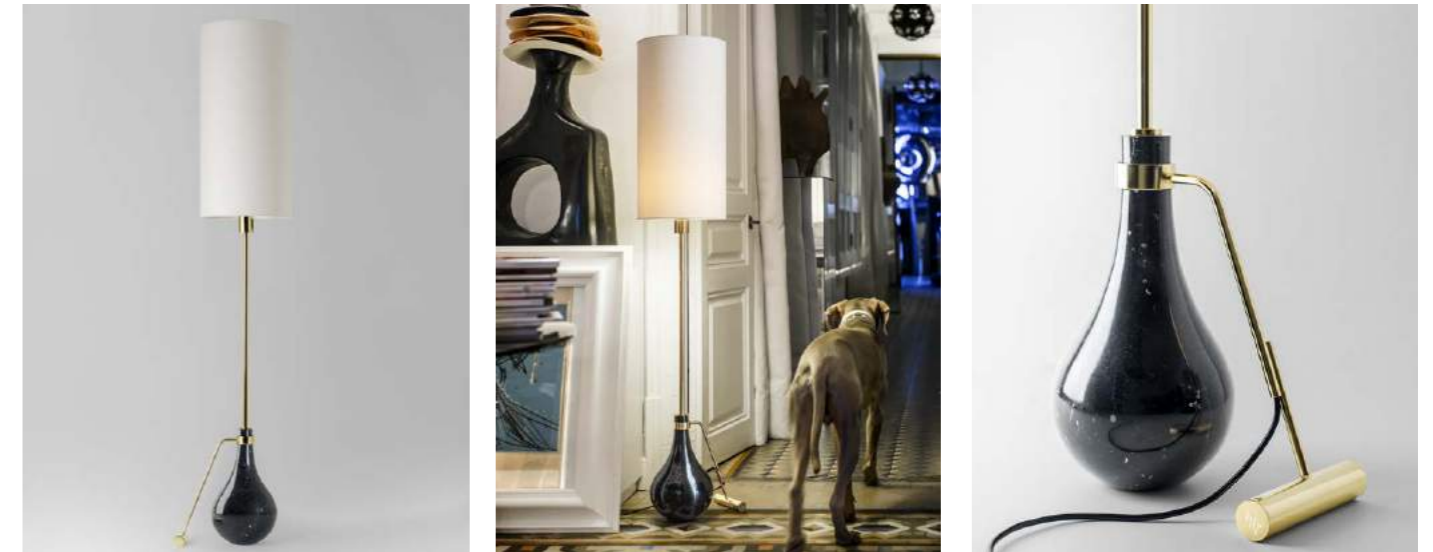


Copacabana p

Structure / Ceramic	€
366102500 White	1.547,00
366104700 Black	1.547,00
366106200 Copper	2.002,00
Lamp	
E27 Max. 70W	

* Consult recommended lamps

**Eva
Floor**

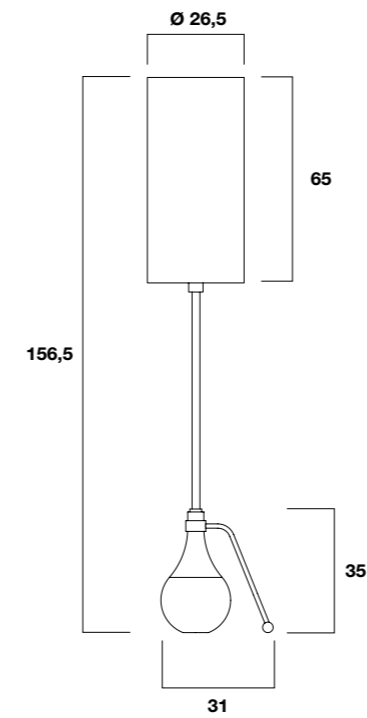


Black marble Markina base and steel brass structure with white fabric shade. Ambient light.

Design by Lázaro Rosa-Violán

Dimensions cm

Family page 50



Eva p

Structure	€
366704700 Marble black	1.934,00
Shade	
870382500 White	165,00
Lamp	
E27 Max. 70W	

**Frank
Floor**

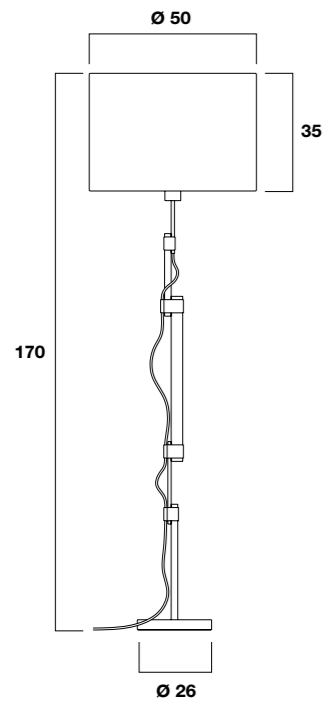


Glossy black lacquered steel structure bathed in glossy copper. Sard fabric shade with white color inside and black or white in the exterior part. Natural leather ribbon. Ambient light.

Design by Lázaro Rosa-Violán

Dimensions cm

Family page 52



Frank p

Structure	€
398404700 Black brilliant	1.509,00
Shade	
870982500 White	204,00
870984700 Black	204,00
Lamp	
E27 Max. 70W	

**Hansen
Floor**

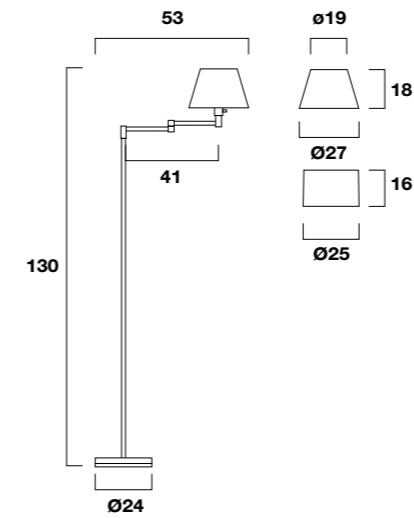


Brass structure with either polished brass or matte nickel finish. Conical chade in white trilon fabric or cylindrical shade in beige card. Direct and indirect light.

Design by George W. Hansen

Dimensions cm

Family page 56-118



Hansen 3982

Structure	€
398200100 Polished brass	698,00
398201000 Satin nickel	743,00
Shade	
800580225 Conical. Trilon. White	76,00
808780326 Cylindrical. Cardboard. Beige	53,00
Lamp	
E27 Max. 70W	

**Inout IN
Floor**



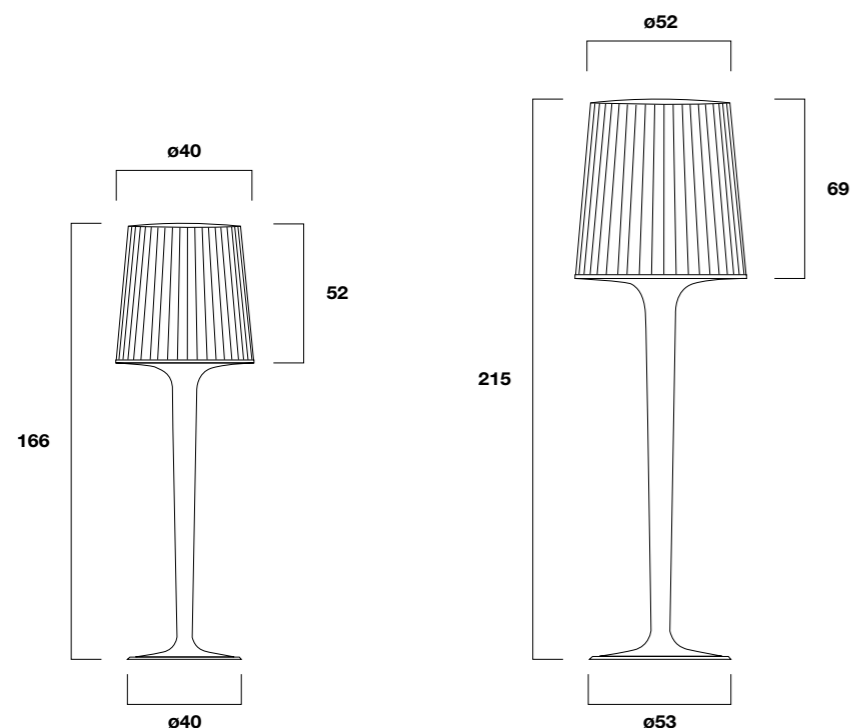
One-piece rotomoulded polyethylene structure. Chromed injected ABS inspection cover. Black enameled cast iron base. Switching by means of on/off switch located in the electrical cable. Only for indoor use. Ambient light.

Design by Ramón Úbeda and Otto Canalda

Dimensions cm

Family page 20-58-142

CE IP44



Inout Me in

Structure / Polyethylene	€
747900001 White	1.084,00
747900031 Red	1.144,00
Lamp	
E27 Max. 2x40W	

Inout Gr in

Structure / Polyethylene	€
748000001 White	1.706,00
748000031 Red	1.858,00
Lamp	
E27 Max. 2x70W	

**Josephine X
Floor**



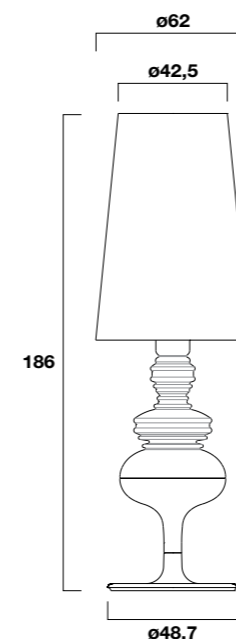
Ceramic structure. Chintz fabric screens. Switching by means of on/off dimmable* switch located in the electrical cable. Ambient light. Limited edition in 10 special colors, numbered and signed by Jaime Hayon.

Design by Jaime Hayon

Dimensions cm

Family page 22-24-60-120

CE



Josephine X

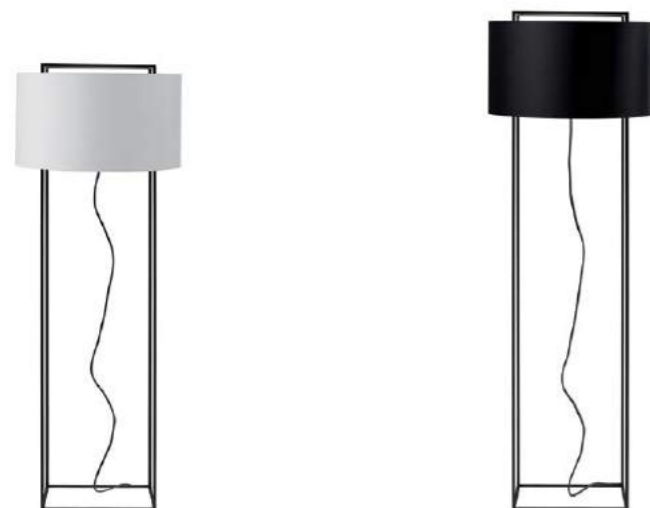
Structure / Ceramic	€										
358000025 White	3.564,00										
358000047 Black	3.564,00	Shade		813080025 White	652,00	813080047 Black	652,00	Lamp		E27 Max. 3x40W	
Shade											
813080025 White	652,00										
813080047 Black	652,00										
Lamp											
E27 Max. 3x40W											

* Consult recommended lamps

Josephine X limited edition

Structure / Ceramic	€
358000041 Azul Mediterraneo	4.587,00
358000095 Azul Okura	4.587,00
358000093 Mango Tropical	4.587,00
358000042 Danish Pine Green	4.587,00
358000038 Celadón Imperial	4.587,00
358000098 Gris Lava Lanzarote	4.587,00
358000021 Pink Bunny	4.587,00
358000057 Bordeaux Français	4.587,00
358000061 Crema Brancusi	4.587,00
358000055 Dutch Clay	4.587,00
Shade	
813080041 Azul Mediterraneo	857,00
813080095 Azul Okura	857,00
813080093 Mango Tropical	857,00
813080042 Danish Pine Green	857,00
813080038 Celadón Imperial	857,00
813080098 Gris Lava Lanzarote	857,00
813080021 Pink Bunny	857,00
813080057 Bordeaux Français	857,00
813080061 Crema Brancusi	857,00
813080055 Dutch Clay	857,00
Lamp	
E27 Máx. 3x40W	

Lewit Floor

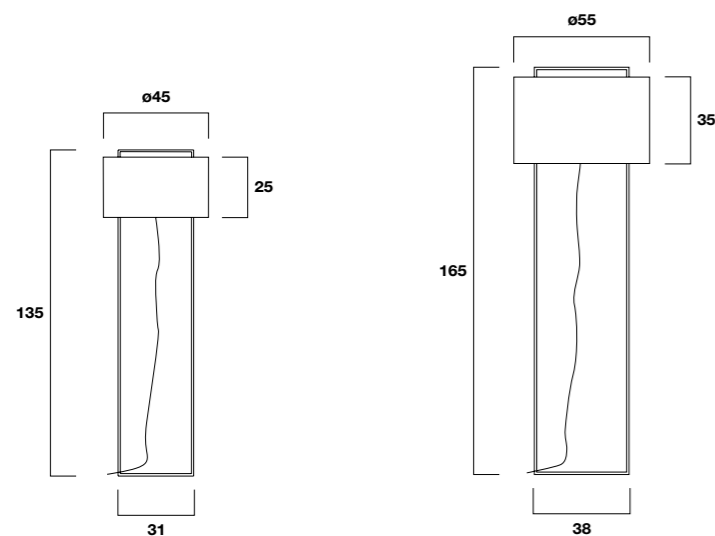


Square steel base. Cylindrical lampshade available in white, black or grey in chintz fabric, or coral, grey or green in Kvadrat fabrics. Metal frame and ceiling rose. Three stainless steel adjustable, self-locking cables. Switched on via adjustable on/off dimmable* located in the black and white electric cable. Ambient lighting.

Design by Jordi Veciana

Dimensions cm

Family page 30-64-122



Lewit p Pe

Structure	€
354202500 White	567,00
354204700 Black	567,00
354206900 Dark grey	567,00
354208400 Red oxide	567,00
Shade	
810382500 White	99,00
810384700 Black	99,00
810386900 Dark grey	99,00
810384500 Grey Kvadrat	129,00
810388000 Coral Kvadrat	129,00
810388500 Green Kvadrat	129,00
Lamp	
E27 Max. 2x70W	

* Consult recommended lamps

Lewit p Gr

Structure	€
348902500 White	605,00
348904700 Black	605,00
348906900 Dark grey	605,00
348908400 Red oxide	605,00
Shade	
810582501 White	219,00
810584701 Black	219,00
810586901 Dark grey	219,00
810584501 Grey Kvadrat	326,00
810588001 Coral Kvadrat	326,00
810588501 Green Kvadrat	326,00
Lamp	
E27 Max. 2x70W	

Libra Floor

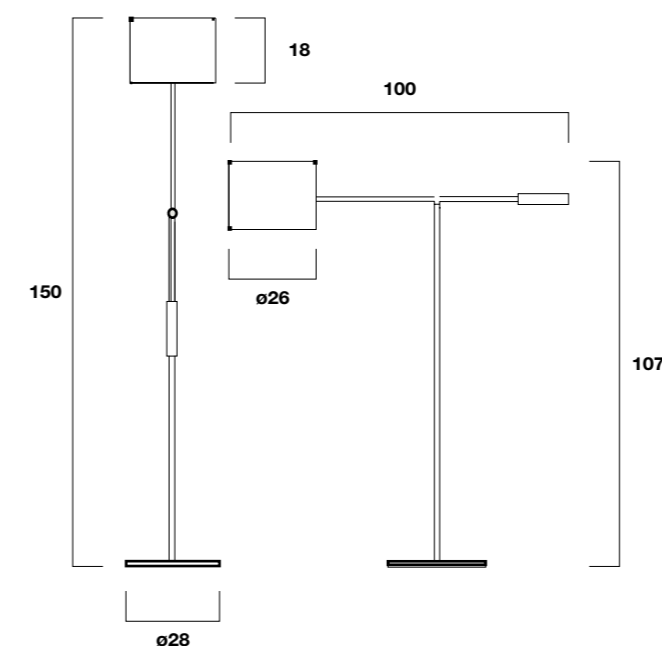


Metal structure. Fully-adjustable arm. Tilting shade, either cylindrical white card. Switching by means of on/off switch located in the lamp-holder. Direct or ambient light according to which shade is chosen.

Design by Metalarte

Dimensions cm

Family page 66-124



Libra p

Structure	€
346101010 Satin nickel	728,00
Shade Cylindrical	
810182500 Cardboard. White	129,00
Lamp	
E27 Max. 70W	

**Mamba
Floor**



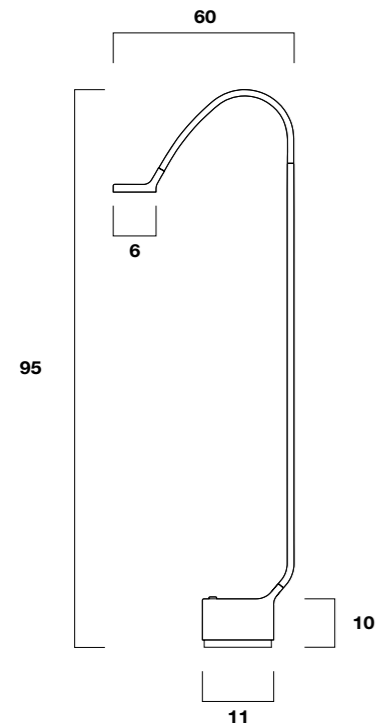
Adjustable injected aluminum hood, containing four LEDs giving warm light. PVC-coated steel and flexo column. Square injected aluminum base enameled. Switching by means of on/off in the base. Direct light.

Design by Lagranja

Dimensions cm

Family page 126

CE IP30



Mamba p

Structure / PVC	€
360202500 White	620,00
360207400 Graphite grey	620,00
Lamp	
Integrated LED 4x1.2W - 2700K - 250lm	

**Pamela
Floor**



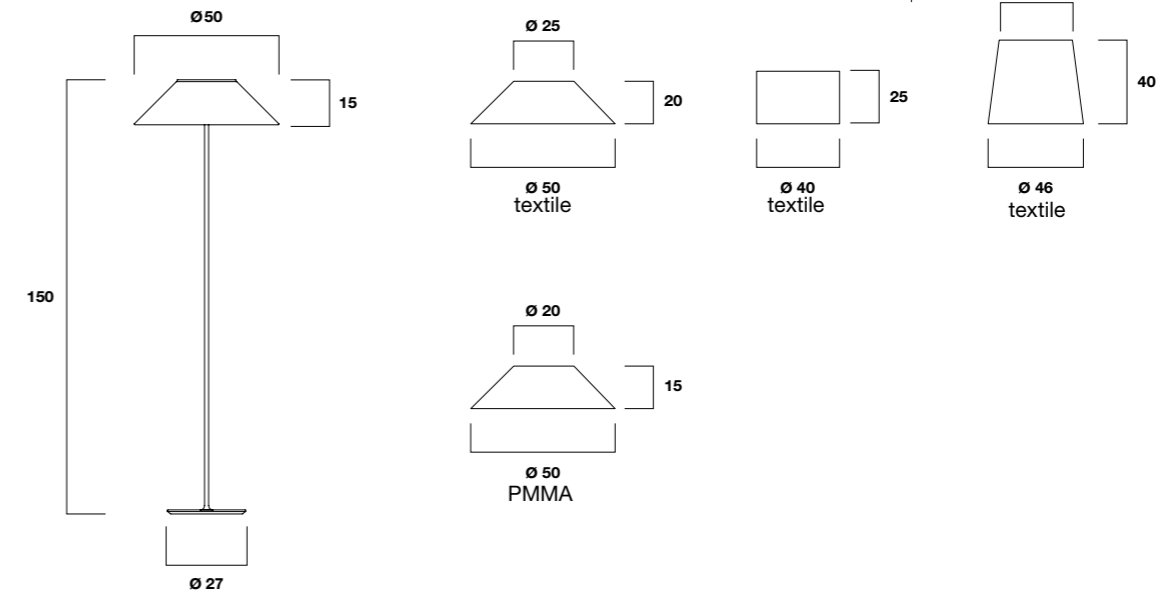
Steel structure in various finishes, brass plated, black chrome or white paint. PMMA injected glass and textile effect lampshade with painted steel base. Switched on via adjustable on/off sensor located in the black electric cable. Direct and ambient lighting.

Design by Ramon Úbeda & Otto Canalda

Dimensions cm

Family page 32-68-150

CE



Pamela p Gr

Structure	€
398502501 White 2700K	728,00
398502500 White 3000K	729,00
398500901 Black chrome 2700K	843,00
398500900 Black chrome 3000K	842,00
398500301 Brass 2700K	843,00
398500300 Brass 3000K	842,00
Lamp	
integrated LED 18W - dimmable - 1600lm	

Shade PMMA	€
882082500 White	83,00
Shade textile	
884082500 Conical white	108,00
884084700 Conical black	108,00
883088425 Conical red, white rod	108,00
883088447 Conical red, black rod	108,00
883082500 Cylindrical white	108,00
883084700 Cylindrical black	108,00
884088425 Cylindrical red, white rod	108,00
884088447 Cylindrical red, black rod	108,00
885082500 Semi cylindrical white	108,00
885084700 Semi cylindrical black	108,00
885088425 Semi cylindrical red, white rod	108,00
885088447 Semi cylindrical red, black rod	108,00

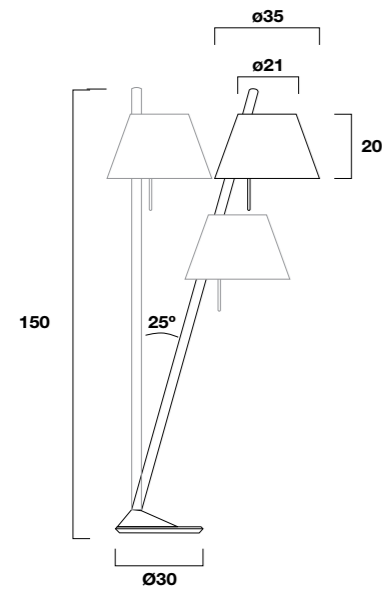
**Sinclina
Floor**



Tilting column in silver-anodized extruded aluminum. Adjustable-height white translucent shade. Cast aluminum circular base enameled grey. Switching by means on/off switch integrated into the support. Direct and ambient light.

Design by Estudi Blanc

Dimensions cm



Sinclina

Structure / Shade €

323207800 Silver / White 886,00

Lamp

E27 Max. 70W

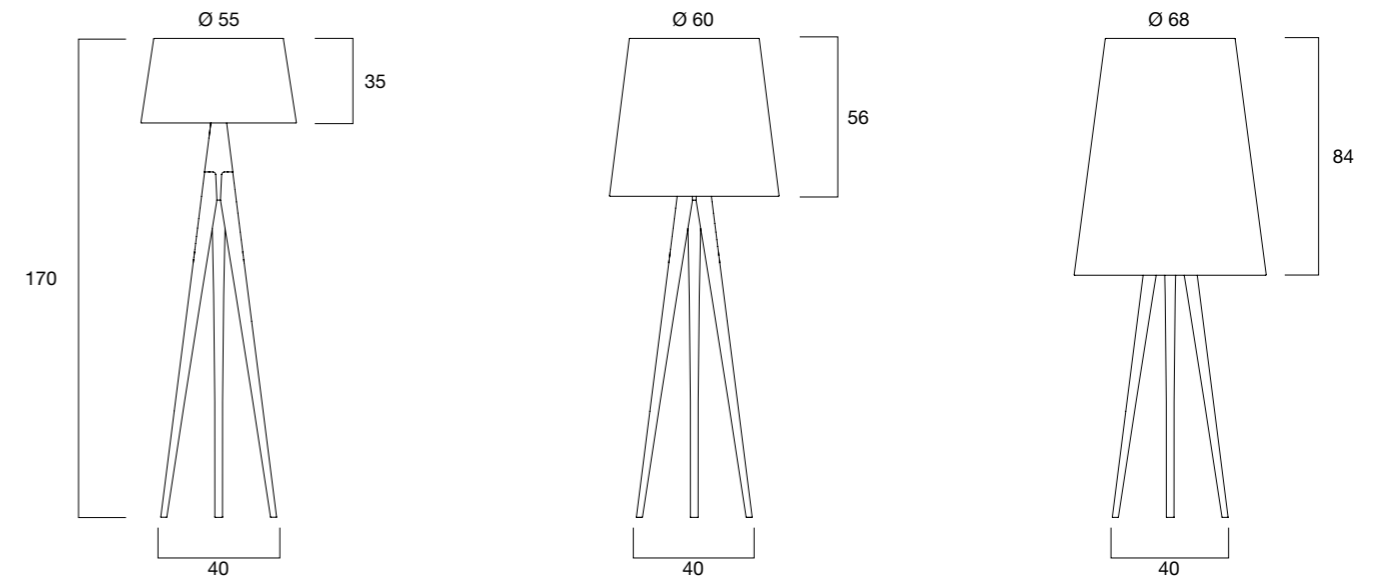
**Triana
Floor**



A standing lamp in natural wood or injected polyurethane, finished in black and white piano lacquer or painted satin yellow. Shade in chintz fabric. Switched on via adjustable on/off dimmable* sensor located in the black and white electric cable. Ambient light.

Design by Ramón Úbeda & Otto Canalda

Dimensions cm



Triana Pe

Structure €

361304700 Black 1.236,00

361302500 White 1.236,00

361307700 Yellow 1.236,00

36130FR00 Natural wood 1.547,00

Shade

861484700 Black 258,00

861482500 White 258,00

861487700 Yellow 258,00

Lamp

E27 Max. 70W

Triana Me

Structure €

361304700 Black 1.236,00

361302500 White 1.236,00

361307700 Yellow 1.236,00

36130FR00 Natural wood 1.547,00

Shade

861584700 Black 334,00

861582500 White 334,00

861587700 Yellow 334,00

Lamp

E27 Max. 70W

Triana Gr

Structure €

361304700 Black 1.236,00

361302500 White 1.236,00

361307700 Yellow 1.236,00

36130FR00 Natural wood 1.547,00

Shade

861684700 Black 584,00

861682500 White 584,00

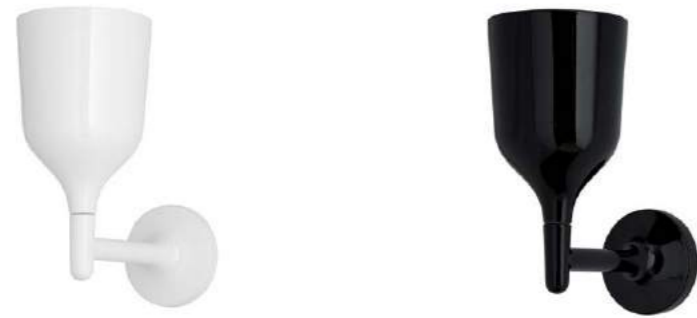
861687700 Yellow 584,00

Lamp

E27 Max. 70W

* Consult recommended lamps

**Copacabana
Wall**

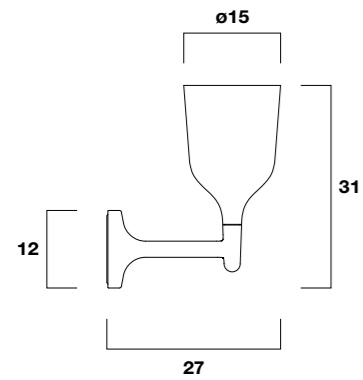


Structure and shade in ceramic. Please ask for gold and platinum finish. Direct light.

Design by Jaime Hayon

Dimensions cm

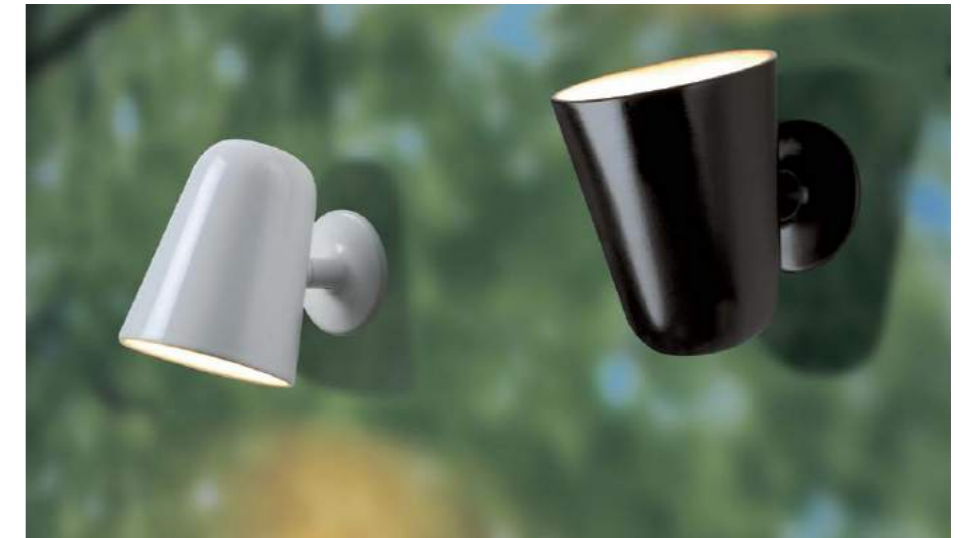
Family page 12-86-114



Copacabana a

Structure / Ceramic	€
165802500 White	615,00
165804700 Black	615,00
165806200 Copper	675,00
Lamp	
E27 Max. 40W	

**Funghi
Wall**

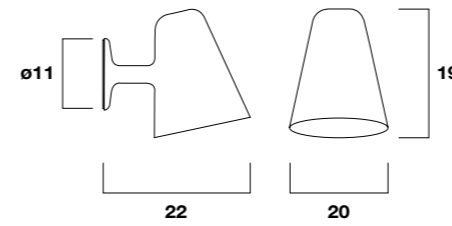


Structure and shade in ceramic. Direct light.
Gold and platinum finishes upon request.

Design by Jaime Hayon

Dimensions cm.

Family page 54



Funghi a

Structure / Ceramic	€
154602500 White	364,00
154604700 Black	364,00
Lamp	
E27 Max. 40W	

**Funghi
Wall**



**Hansen
Wall**

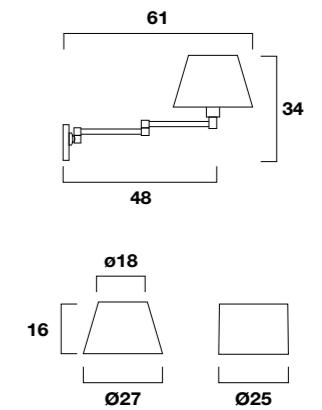
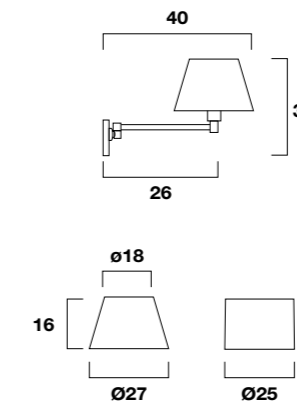
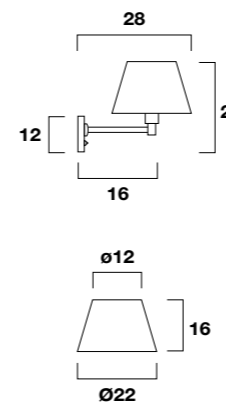


Brass structure with either polished brass or matte nickel finish. Conical shade in with trilon fabric or cylindrical shade in beige card. Direct and ambient light.

Design by George W. Hansen

Dimensions cm

Family page 56-92



Hansen 1148

Structure	€
114800100 Polished brass	288,00
114801000 Satin nickel	288,00
Shade	
800380225 Conical. Trilon. White	53,00
Lamp	
E27 Max. 40W	

Hansen 1705

Structure	€
170500100 Polished brass	387,00
170501000 Satin nickel	387,00
Shade	
800280225 Conical. Trilon. White	53,00
808780326 Cylindrical. Cardboard.	
Beige	53,00
Lamp	
E27 Max. 40W	

Hansen 1706

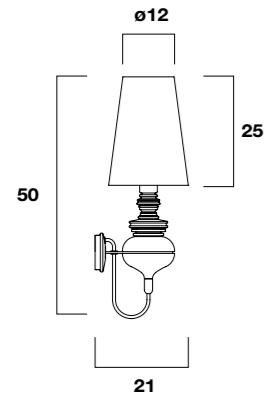
Structure	€
170600100 Polished brass	470,00
170601000 Satin nickel	470,00
Shade	
800280225 Conical. Trilon. White	53,00
808780326 Cylindrical. Cardboard.	
Beige	53,00
Lamp	
E27 Max. 40W	

**Josephine mini
Wall**



Ceramic structure. Black or white shades in chintz fabric and platinum or gold in metalon. Ambient light.

Design by Jaime Hayon
Dimensions cm
Family page 22-24-60-96
CE



Josephine mini a

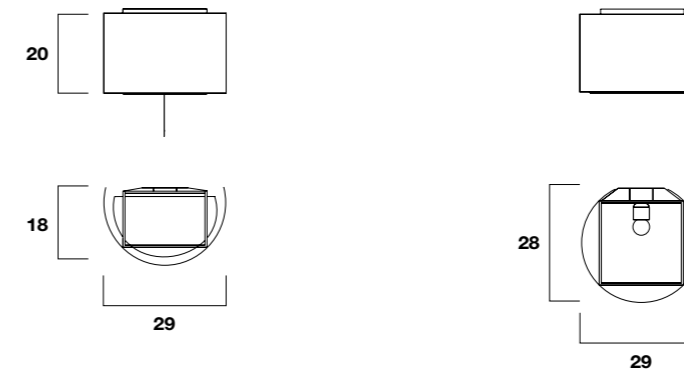
Structure / Ceramic	€
159002500 White	660,00
159004700 Black	660,00
159007200 Platinum	1.009,00
159000300 Gold	1.009,00
Shade	
812082500 White	76,00
812084700 Black	76,00
812087200 Platinum	159,00
812080300 Gold	159,00
Lamp	
E27 Max. 40W	

**Lewit
Wall**



Square steel rod structure. Cylindrical lampshade in white, black or grey in chintz fabric, or coral, grey and green in Kvadrat fabrics. A top diffuser in white polycarbonate is featured on the a Pe version only. The Lewit a Pe version is activated via an on / off switch located in the socket. Direct and ambient lighting.

Design by Jordi Veciana
Dimensions cm
Family page 30-64-100
CE



Lewit a Pe

Structure	€
157602500 White	166,00
157604700 Black	166,00
157606900 Dark grey	166,00
157608400 Red oxide	166,00
Shade	
811782500 White	61,00
811784700 Black	61,00
811786900 Dark grey	61,00
811784500 Grey Kvadrat	83,00
811788000 Coral Kvadrat	83,00
811788500 Green Kvadrat	83,00
Lamp	
E27 Max. 40W	

Lewit a Gr

Structure	€
149102500 White	181,00
149104700 Black	181,00
149106900 Dark grey	181,00
149108400 Red oxide	181,00
Shade	
810682500 White	61,00
810684700 Black	61,00
8106846900 Dark grey	61,00
810684500 Grey Kvadrat	83,00
810688000 Coral Kvadrat	83,00
810688500 Green Kvadrat	83,00
Lamp	
E27 Max. 70W	

**Libra
Wall**

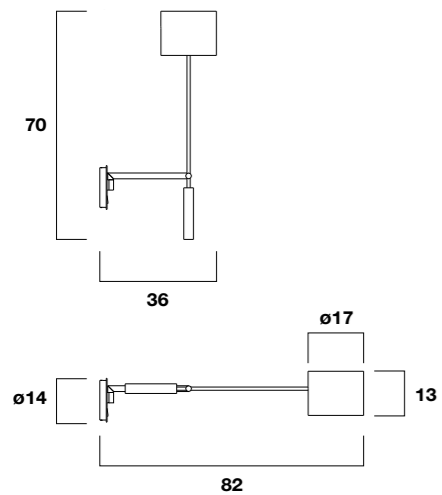


Metal arm with matte nickel finish, fully adjustable. Tilting shade, either cylindrical white card. Switching by means of on/off switch on wall plate. Direct or ambient light according to which shade is chosen.

Design by Metalarte

Dimensions cm

Family page 66-102



Libra a

Structure	€
153101000 Satin nickel	485,00
Shade Cylindrical	
811082500 Cardboard. White	99,00
Lamp	
G9 Eco. Máx. 60W	

**Mamba
Wall**

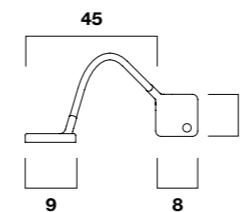


Adjustable injected aluminum hood, containing four LEDs giving warm light. Flexible metal column covered in PVC. Injected aluminum wall support. Switching by means of on/off on the wall plate. Direct light.

Design by Lagranja

Dimensions cm

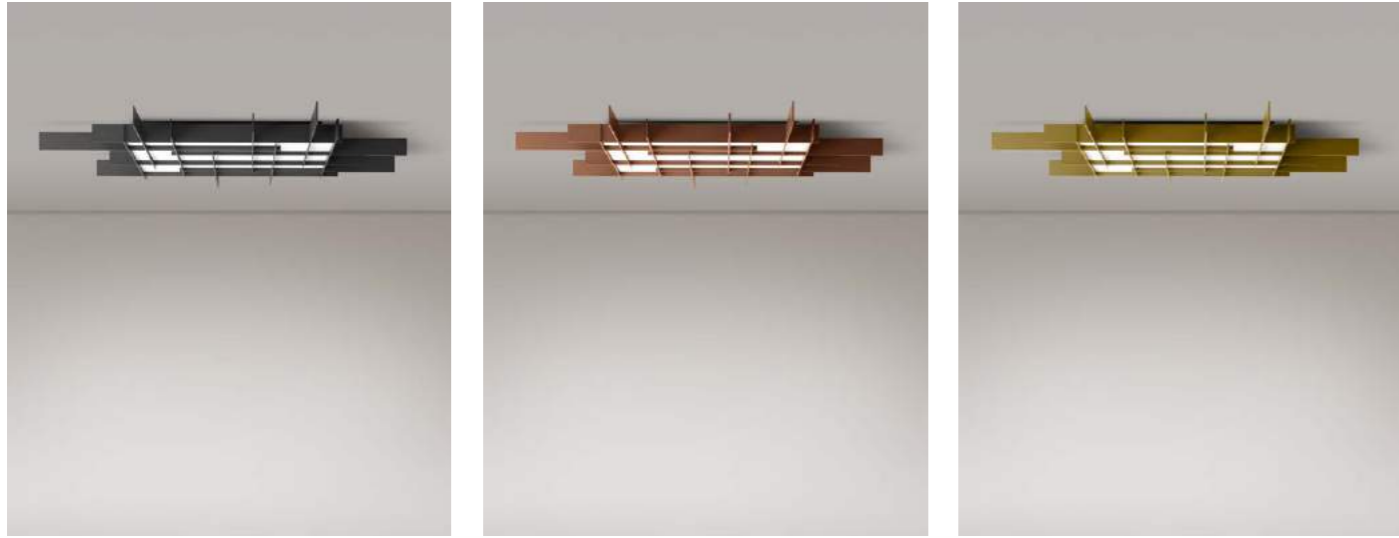
Family page 104



Mamba a

Structure	€
160102500 White	447,00
160107400 Graphite grey	447,00
Lamp	
LED integrated 4x1.2W - 2700K - 250lm	

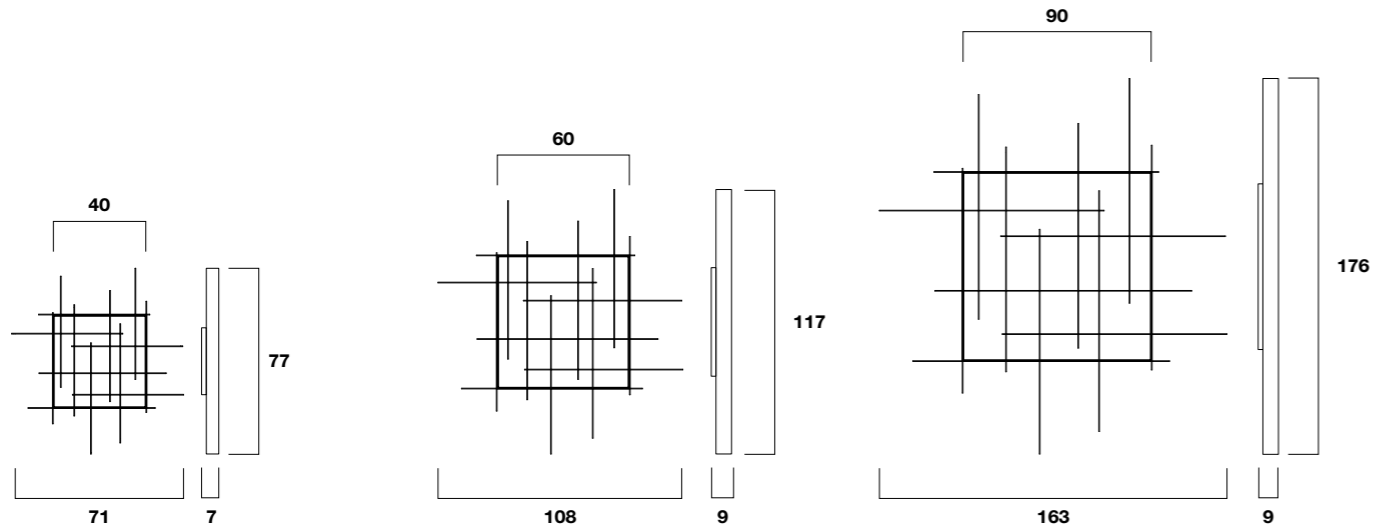
Mondrian Wall



Visible structure made of painted aluminum. Special PMMA diffuser combining high transparency and uniform light diffusion qualities. Internal structure made of steel painted matt white. LED panel with built-in lenses. Comes with a hook for ceiling pre-installation. Dimmable. Ambient light.

Design by Carlos Álvarez

Dimensions cm



Mondrian Pe

Structure	€
171208901 Anthracite 2700K	684,00
171208900 Anthracite 3000K	684,00
171206201 Bronze 2700K	684,00
171206200 Bronze 3000K	684,00
171200201 Gold mat 2700K	684,00
171200200 Gold mat 3000K	684,00
Lamp	
integrated LED 25W - dimmable - 1000lm	

Mondrian Me

Structure	€
171308901 Anthracite 2700K	996,00
171308900 Anthracite 3000K	996,00
171306201 Bronze 2700K	996,00
171306200 Bronze 3000K	996,00
171300201 Gold mat 2700K	996,00
171300200 Gold mat 3000K	996,00
Lamp	
integrated LED 45W - dimmable - 2200lm	

Mondrian Gr

Structure	€
171408901 Anthracite 2700K	1.794,00
171408900 Anthracite 3000K	1.794,00
171406201 Bronze 2700K	1.794,00
171406200 Bronze 3000K	1.794,00
171400201 Gold mat 2700K	1.794,00
171400200 Gold mat 3000K	1.794,00
Lamp	
integrated LED 90W - dimmable - 3800lm	

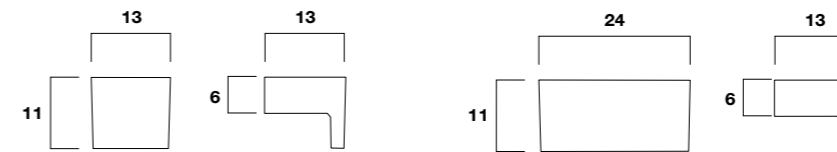
Tequila Wall



Injected aluminum shade. Ambient light.

Design by Mario Ruiz

Dimensions cm



Tequila Pe

Structure / Aluminium	€
159907402 Graphite grey	258,00
159902502 White	258,00
Lamp	
Integrated LED 8,5W - 2800K - 750lm	

Tequila Gr

Structure / Aluminium	€
160007402 Graphite grey	326,00
160002502 White	326,00
Lamp	
Integrated LED 13W - 2800K - 1000lm	

**Zip LED
Wall**

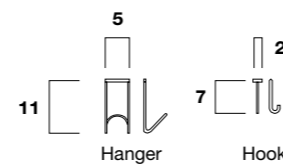
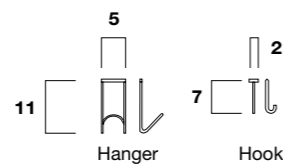
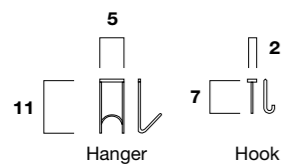
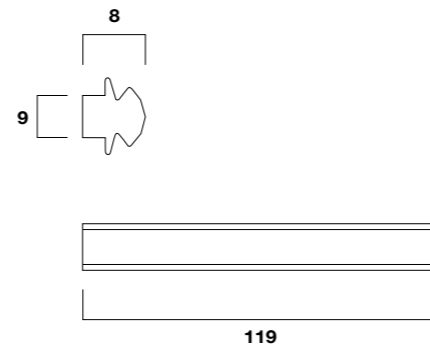
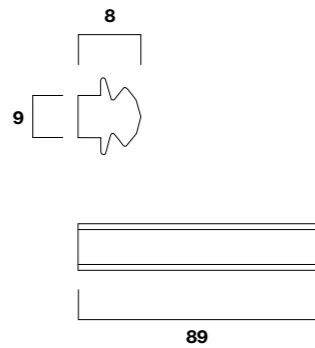
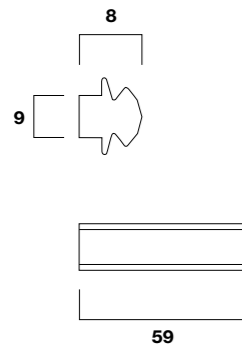


Silver-anodized extruded aluminum profile and translucent extruded polycarbonate diffuser. Terminal caps in black injected ABS. Steel wall support. Optionally, supplied with chrome hangers and hooks which slide along the lower slot.

Design by Sergi & Óscar Devesa

Dimensions cm

CE IP44



Zip Pe

Structure / Diffuser	€
146802101 Silver / Translucent	276,00
Lamp	
Integrated LED 15W - 3000K - 1550lm	
Accessories	
610100600 Hanger / Chrome	38,00
610200600 Hook / Chrome	23,00

Zip Me

Structure / Diffuser	€
146802103 Silver / Translucent	348,00
Lamp	
Integrated LED 20W - 3000K - 2000lm	
Accessories	
610100600 Hanger / Chrome	38,00
610200600 Hook / Chrome	23,00

Zip Gr

Structure / Diffuser	€
146802105 Silver / Translucent	432,00
Lamp	
Integrated LED 25W - 3000K - 2150lm	
Accessories	
610100600 Hanger / Chrome	38,00
610200600 Hook / Chrome	23,00

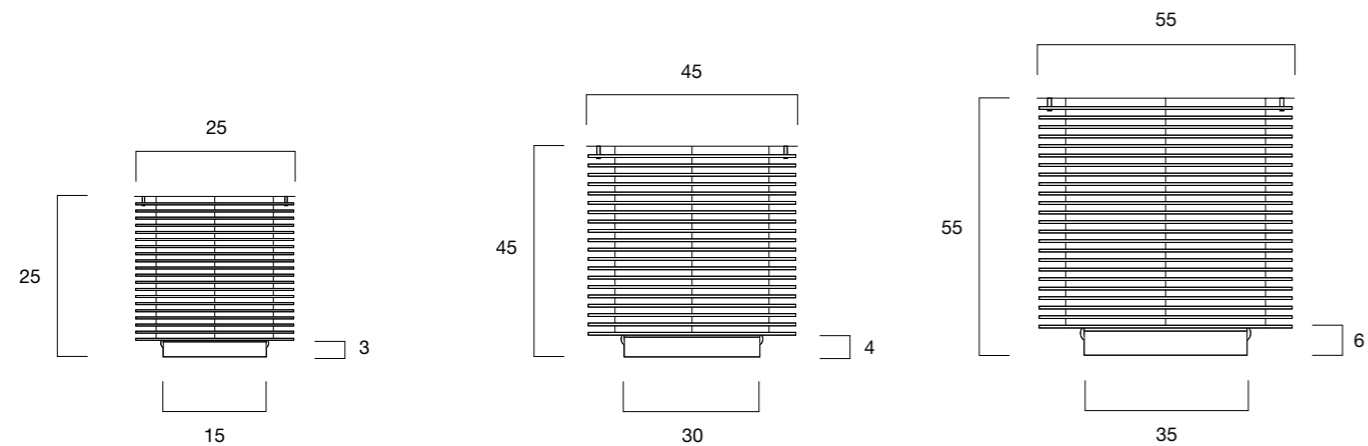


Structure formed by extruded anodized aluminum grills and an iron lid. Methacrylate opal diffuser. Weatherproof protector made of translucent injected polycarbonate. It includes fixtures for surface mounting and for concrete footing.

Design by Antoni Arola

Dimensions cm

CE IP65



Dojo Pe

Structure	€
738305000 Silver	872,00
738305001 Silver - LED	1.024,00
738302500 White	872,00
738302501 White - LED	1.024,00
738308100 Oxide Brown	872,00
738308101 Oxide Brown - LED	1.024,00
Lamp	
E27 Max. 20W	
Integrated LED 8,5W - 3000K - 550lm	

Dojo Me

Structure	€
738405000 Silver	1.365,00
738405001 Silver - LED	1.517,00
738402500 White	1.365,00
738402501 White - LED	1.517,00
738408100 Oxide Brown	1.365,00
738408101 Oxide Brown - LED	1.517,00
Lamp	
E27 Max. 20W	
Integrated LED 8,5W - 3000K - 550lm	

Dojo Gr

Structure	€
738505000 Silver	1.797,00
738505001 Silver-LED	1.948,00
738502500 White	1.797,00
738502501 White - LED	1.948,00
738508100 Oxide Brown	1.797,00
738508101 Oxide Brown-LED	1.948,00
Lamp	
E27 Max. 2x20W	
Integrated LED 2x8,5W - 3000K - 1000lm	

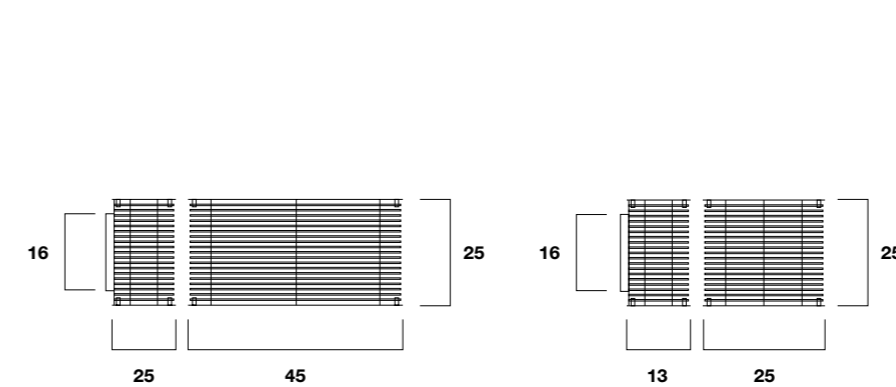


Structure formed by extruded anodized aluminum grills and an iron lid. Methacrylate opal diffuser. Weatherproof protector made of translucent injected polycarbonate. It includes fixtures for surface mounting and for concrete footing.

Design by Antoni Arola

Dimensions cm

CE IP65



Dojo a Pe

Structure	€
738605000 Silver	667,00
738605001 Silver - LED	811,00
738602500 White	667,00
738602501 White - LED	811,00
738608100 Oxide Brown	667,00
738608101 Oxide Brown - LED	811,00
Lamp	
E27 Max. 20W	
Integrated LED 8,5W - 3000K - 425lm	

Dojo a Gr

Structure	€
751405000 Silver	902,00
751405001 Silver - LED	1.047,00
751402500 White	902,00
751402501 White - LED	1.047,00
751408100 Oxide Brown	902,00
751408101 Oxide Brown - LED	1.047,00
Lamp	
E27 Max. 2x20W	
Integrated LED 2x8,5W - 3000K - 850lm	

**Frida
Outdoor**

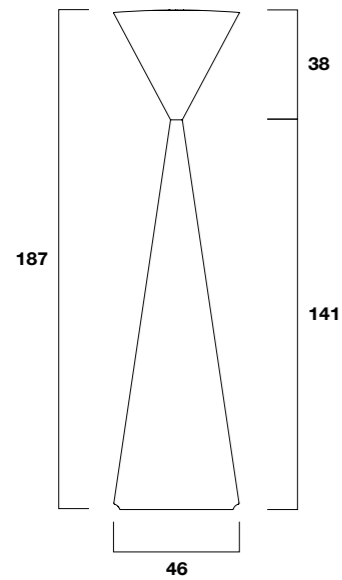


Rotomoulded polyethylene cones structure. Independent on/off function for each screen (upper and lower) using a button located in the upper corner. Counterweight cast iron and stainless steel anchorage. Ambient light.

Design by Serraydelarocha

Dimensions cm

CE IP65



Frida Led

Structure	€
768000003 White	1.381,00

Lamp
E27 Max. 18W + LED integrated 6x4W 3000K

**Inout OUT
Outdoor**



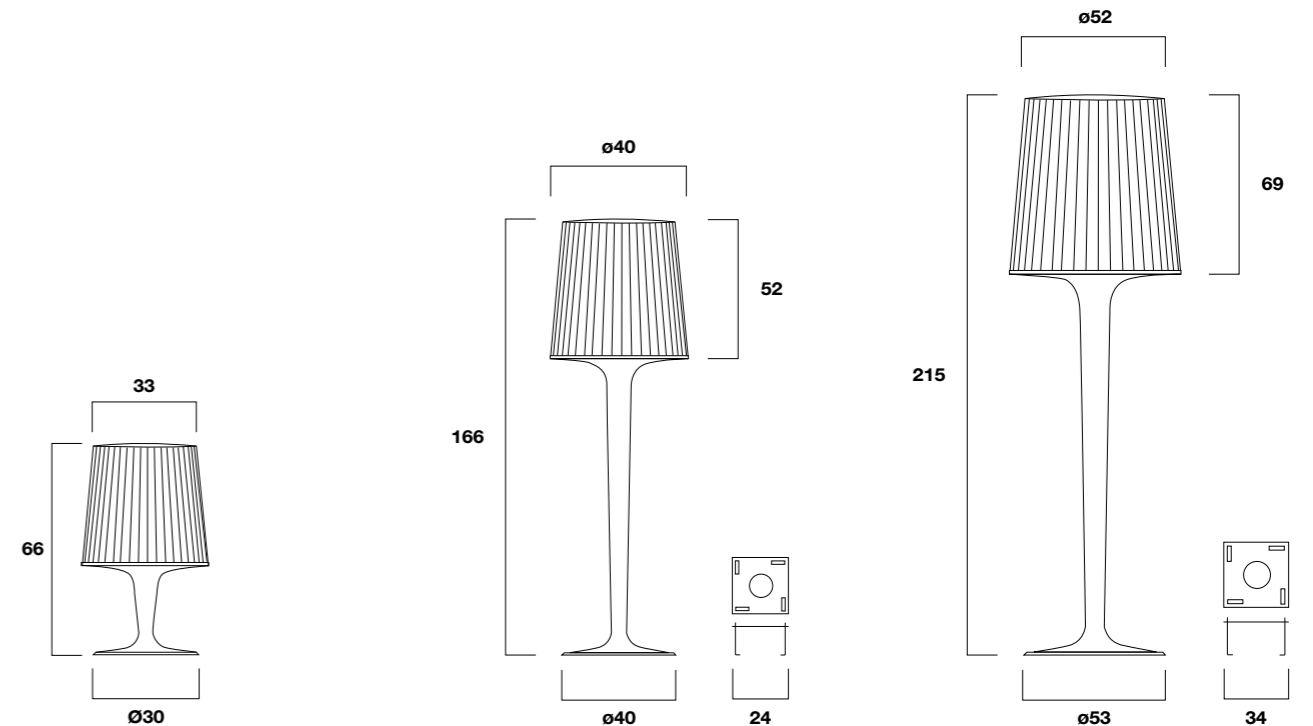
One-piece rotomoulded polyethylene structure. Chromed injected ABS inspection cover. Black enameled cast iron base.



Design by Ramón Úbeda and Otto Canalda

Dimensions cm

CE IP65



Inout Pe

Structure / Polyethylene	€
747800001 White	531,00
747800031 Red	584,00

Lamp
E27 Max. 40W

Inout Me

Structure / Polyethylene	€
747900000 White	1.084,00
747900030 Red	1.144,00

Lamp	
610400001 Anclaje	129,00
E27 Max. 2x40W	

Inout Gr

Structure / Polyethylene	€
748000000 White	1.706,00
748000030 Red	1.858,00

Lamp	
610400000 Anclaje	159,00
E27 Max. 2x70W	

**Mate
Outdoor**

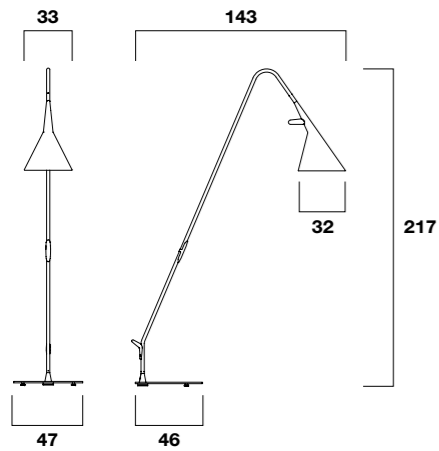


Structure and base in steel. Rotomoulded polyethylene diffuser. Switching by means of on/off sensor line in silicone on the diffuser. The cable is arranged neatly in the bottom of the column.

Design by Geert Koster

Dimensions cm

CE IP65



Mate

Structure / Polyethylene	€
766902500 White	1.393,00
Lamp	
E27 Max. 40W	

**Nanit
Outdoor**

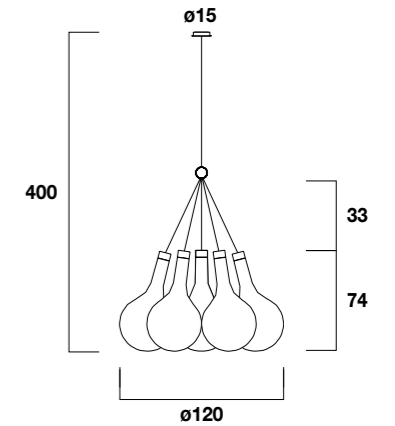
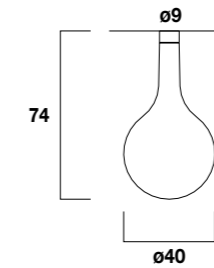
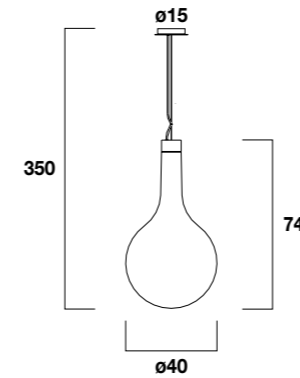


Collection of rotomoulded polyethylene diffusers with natural finish. The family is composed of two suspension lamps with one or seven diffusers and a wall bracket.

Design by Ramón Úbeda & Otto Canalda

Dimensions cm

CE IP65 IP44 - Nanit t7



Nanit t1

Canopy and electric group	€
756002500 Aluminium. White	463,00
756005600 Aluminium. Silver	463,00
Diffuser / Polyethylene	
755600000 Translucent	288,00
Lamp	
E27 Max. 70W	

Nanit t2

Canopy and electric group	€
756102500 Aluminium. White	243,00
756105600 Aluminium. Silver	243,00
Diffuser / Polyethylene	
755600000 Translucent	288,00
Lamp	
E27 Max. 70W	

Nanit t7

Canopy and electric group	€
756202500 Aluminium. White	1.213,00
756205600 Aluminium. Silver	1.213,00
Diffuser / Polyethylene	
755600000x7 Translucent	2.016,00
Lamp	
E27 Max. 7x70W	

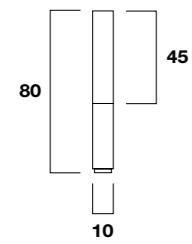


Lighting family composed of three standing column lamps and two wall lamps. Column and header in extruded aluminium with a silver lacquer. Opal-white methacrylate diffuser. Indoor and outdoor use.

Design by Antoni Arola

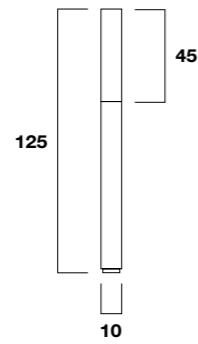
Dimensions cm

CE IP65



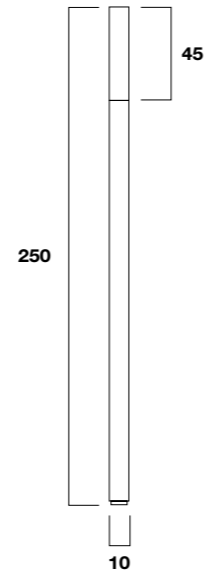
Nawa Pe

Structure	€
741305001 Silver	588,00
Lamp	
LED integrated 20W - 3000K - 2000lm	



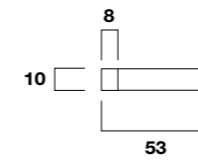
Nawa Me

Structure	€
741405001 Silver	678,00
Lamp	
LED integrated 20W - 3000K - 2000lm	



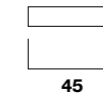
Nawa Gr

Structure	€
741505001 Silver	858,00
Lamp	
LED integrated 20W - 3000K - 2000lm	



Nawa a1

Structure	€
741605001 Silver	366,00
Lamp	
LED integrated 15W - 3000K - 1350lm	



Nawa a2

Structure	€
741705001 Silver	366,00
Lamp	
LED integrated 15W - 3000K - 1350lm	

**Pamela
Outdoor**



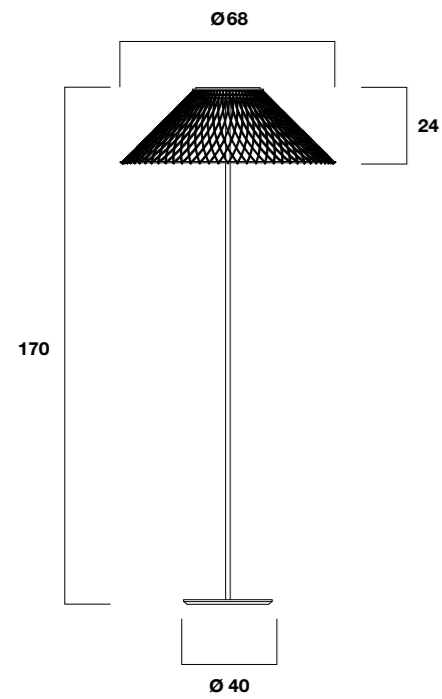
Screen, calibrated tubular steel column and base, painted with a special white coating for outdoor environments. Lighting protected by three anti-corrosion processes. Ambient lighting.

Design by Ramón Úbeda & Otto Canalda

Dimensions cm

Family page 32-68-106

CE IP65



Pamela Gr

Structure	€
748602500 White	1.054,00
Shade	
780182500	296,00
Lamp	
integrated LED18W - 3000K - 1600lm	

**Stones
Outdoor**

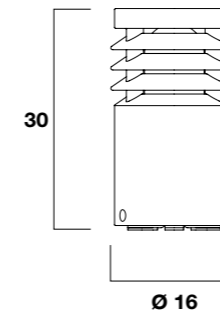


Engineered stone structure that combines different degrees of opening depending on its size. Exterior signalling or beacon light.

Design by Ramón Úbeda & Otto Canalda

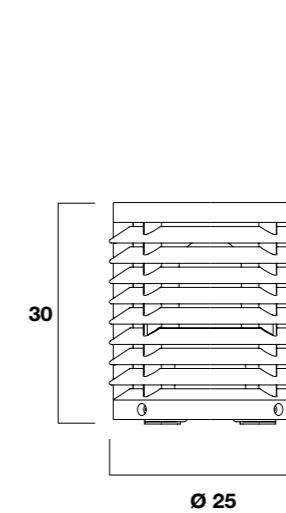
Dimensions cm

CE IP44 - IK08
IP54 - versiones E27
IP65 - LED integrado



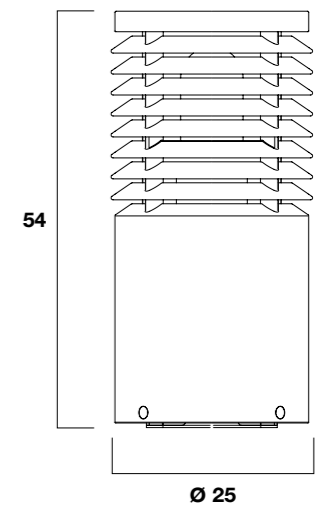
Oliver Pe

Structure	€
770104500 Grey	462,00
770104501 Grey - LED	606,00
Lamp	
E27 Max. 40W	
Integrated LED 8,5W - 3000K - 110lm	



Oliver Me

Structure	€
770204500 Grey	614,00
770204501 Grey - LED	766,00
Lamp	
E27 Max. 40W	
Integrated LED 8,5W 3000K - 165lm	



Oliver Gr

Structure	€
770304500 Grey	798,00
770304501 Grey - LED	849,00
Lamp	
E27 Max. 40W	
Integrated LED 8,5W - 3000K -170lm	

**Stones
Outdoor**

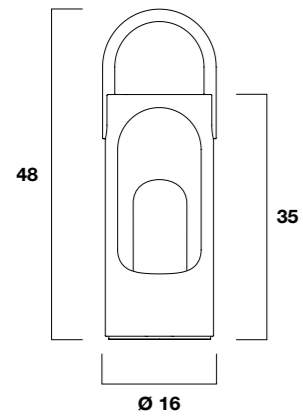


Technical stone structure. Handle and base form one solid unit. Ambient interior and exterior lighting.

Design by Ramón Úbeda & Otto Canalda

Dimensions cm

CE IP54



Rolling

Structure	€
471104500 Grey	584,00
471104501 Grey - LED	728,00
Lamp	
E27 Max. 20W	
Integrated LED 8,5W 3000K	

**Waterproof LED
Outdoor**

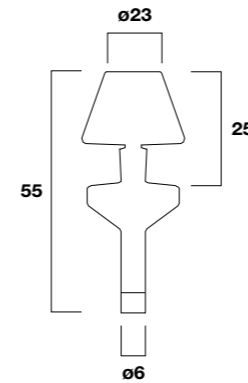


One-piece rotomoulded polyethylene structure containing rechargeable battery with an autonomy more than 8h. Led included. Submersible.

Design by Héctor Serrano

Dimensions cm

CE IP67



Waterproof

Structure / Polyethylene	€	Accessories	€
747700001 White	409,00	610300001 Power adaptor	61,00
Lamp		230V. 1 connection	
integrated LED 1,5W			

LUXIONA

LUXIONA Headquarters

Paseo de la Ribera, 115
08420 Canovelles
SPAIN
tel. +34 93 846 69 09
info@luxiona.com

LUXIONA SPAIN

Paseo de la Ribera, 115
08420 Canovelles
SPAIN
tel. +34 93 846 69 09
fax.+34 93 846 57 09
info.spain@luxiona.com

LUXIONA FRANCE

2, Rue Clément Ader
69740 Genas
FRANCE
tel. +33 472 146 666
fax. +33 472 146 667
info.france@luxiona.com

LUXIONA GERMANY

Westhafenstraße 1
13353 Berlin
GERMANY
tel. +49 30 40535600
fax +49 30 40535609
info.germany@luxiona.com

LUXIONA ITALY

Via Luigi Cadamosto 4
26900 Lodi (LO)
ITALIA
tel. +39 02 982740 10
fax. +39 02 982740 26
info.italia@luxiona.com

LUXIONA PERU

Josfel
Jr. Paita 220 Zona Industrial
San Juan de Miraflores (Lima)
PERÚ
tel. (511) 276 8822
fax. (511) 281 4893
ventas@josfel.com.pe

LUXIONA CHILE

Santa Adela 0618
Recoleta, Santiago
CHILE
tel. +56 22 969 5260
info@luxiona.cl

LUXIONA MEXICO

Avda. de los Arcos no.9 manzana 2
Parque Industrial Finsa - Bernardo Quintana
El Márquez, Querétaro 76246
MEXICO
tel. +52 442 153 1020
info.mexico@luxiona.com

LUXIONA POLAND

Ul. Sochaczewska 110,
Macierzysz
05-850 Ozarow Mazowiecki
POLAND
tel. +48 022 721 72 72
fax.+48 022 721 72 73
info.poland@luxiona.com

LUXIONA EXPORT

Export Department:
tel. +34 938 616 893
fax. +34 938 465 709
info.export@luxiona.com

LUXIONA CHINA

1-3/F, Lintai Industrial Park,
Baihuadong,
Guanguang Road,
Guangming New District,
Shenzhen 518107
CHINA
tel. (0755) 861 498 86
fax. (0755) 861 491 20
info.china@luxiona.com

troll

www.troll.es

metalarte

www.metalarte.com

Sagelux

www.sagelux.com

Josfel

www.josfel.com

GRUPO LUXIONA
Paseo de la Ribera, 115
08420 Canovelles
Barcelona, Spain

T +34 93 846 69 09
F +34 93 846 57 09

metalarte@metalarte.com
www.metalarte.com
www.luxiona.com